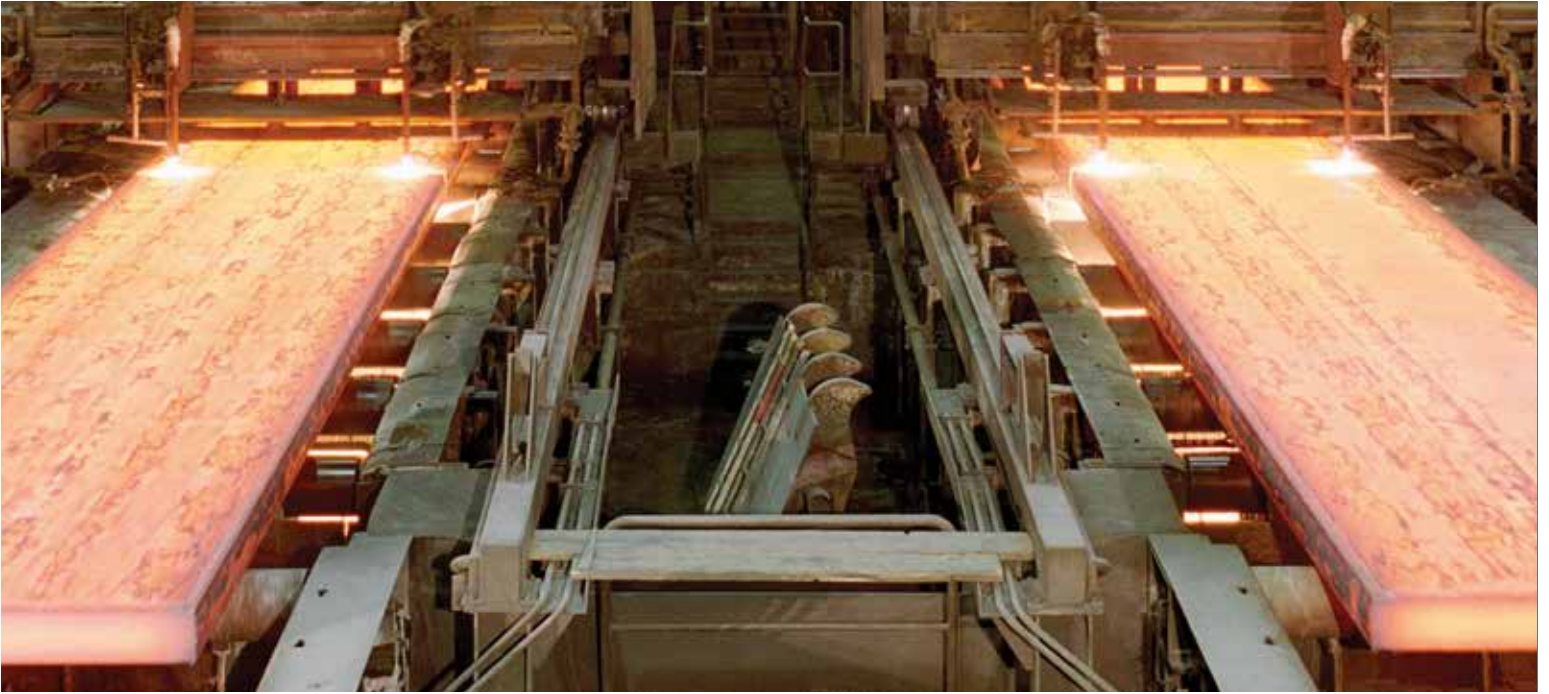


# TIMKEN



## STEEL HOUSING. BETTER SEALING. LONGER LIFE.

### TIMKEN® SELF-ALIGNING MOUNTED TAPERED ROLLER BEARINGS

Timken® Self-Aligning mounted tapered roller bearings are designed for applications from aggregate and steel to mining and power generation. The heavy duty housing and cartridge are made from cast steel to stand up to the harshest conditions, and are designed to accept up to +/-4 degrees of misalignment.

The tapered roller bearing yields a design life that is 47%-113% higher than current industry leading competitors. Timken high-performance seals are seven times more effective against water ingress.

Available in two-bolt pillow block sizes 1  $\frac{3}{16}$  - 3  $\frac{1}{2}$  in. (35-90 mm), four-bolt pillow block sizes 2  $\frac{1}{4}$  - 5 in (60-125 mm) and four-bolt flange sizes 1  $\frac{3}{16}$  - 4  $\frac{1}{2}$  in. (35-115 mm)

#### BETTER FROM THE INSIDE OUT

- 47%–113% longer life with optimized Timken tapered roller bearings
- Lower bearing operating temperatures
- Improved lube film thickness
- Reduced internal stresses
- Optimized bearing profiles and improved surface finishes
- Cast steel housings accept secondary sealing covers



# TIMKEN SELF-ALIGNING MOUNTED TAPERED ROLLER BEARINGS

All units machined to accept Timken secondary sealing covers

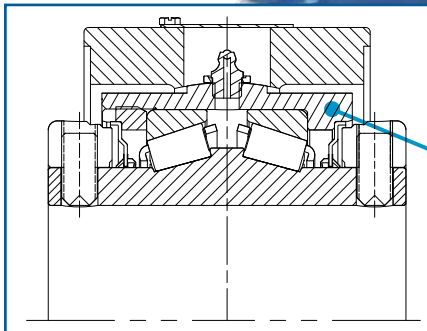
Steel housing designed to withstand toughest applications

Powder coated housings and E coated collars for corrosion protection

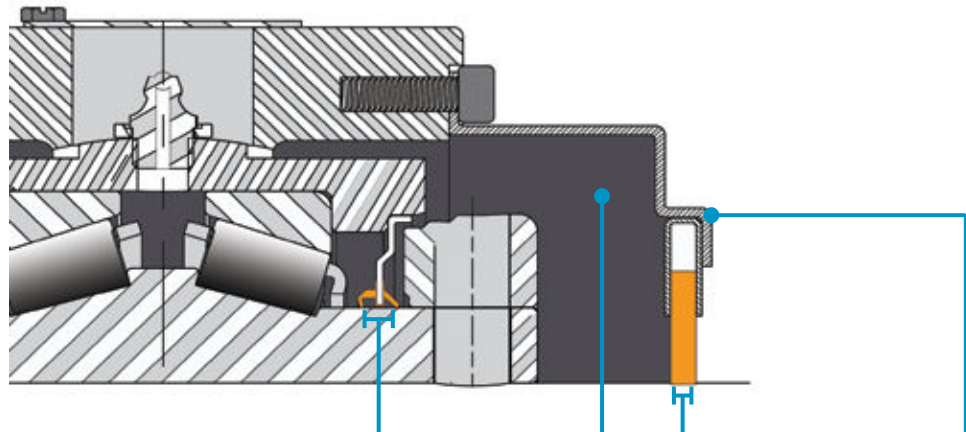
Timken tapered roller bearing

Steel cartridge accepts +/- 4 degrees of misalignment

Timken high performance seal



## UNRIVALED MULTI-POINT SEALING SYSTEM



### Upgraded triple-barrier internal bearing seal

- **Two contact lips and one rigid middle labyrinth section** to help retain grease and reduce contamination ingress
- **New enhanced seal material to provide greater performance** with 2X more abrasion resistance than the industry standard nitrile seal

**Full grease pack in cover**  
(all covers have grease zerks)

**Single lip Teflon through Shaft Seal**

**External through shaft cover**  
(steel)

**3**

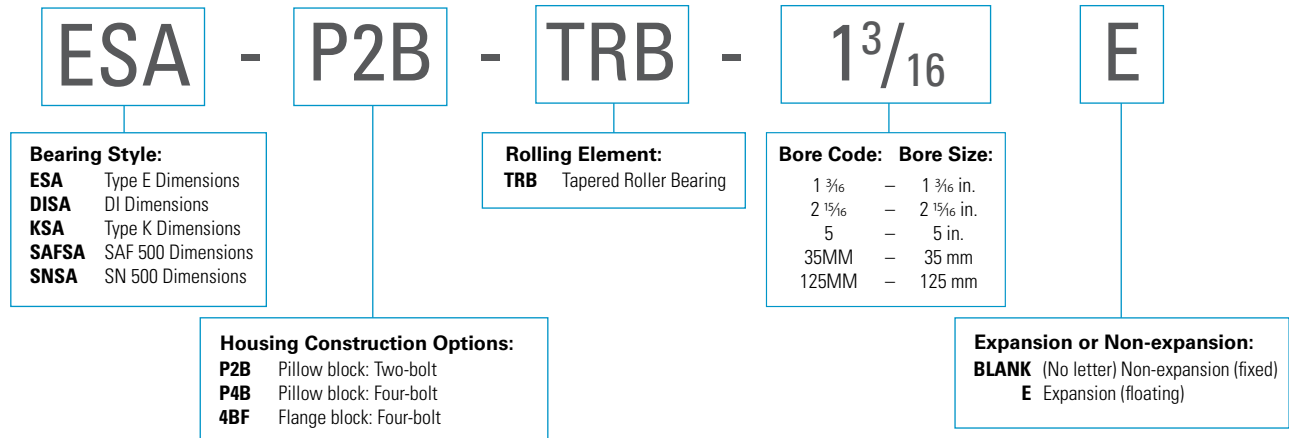
**1**

**1**

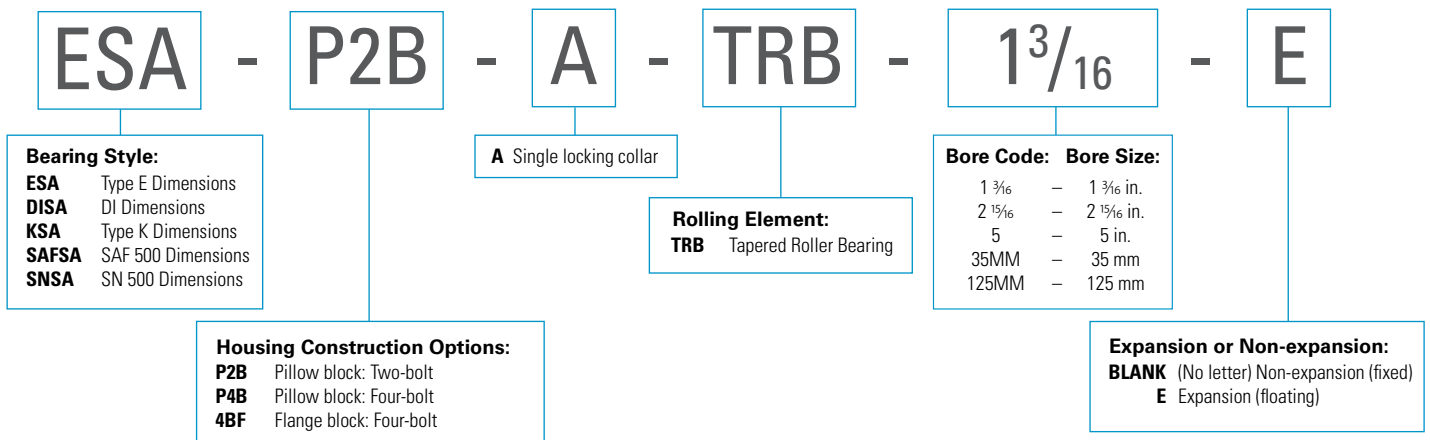
**1**

# TIMKEN SELF-ALIGNING MOUNTED TAPERED ROLLER BEARINGS NOMENCLATURE

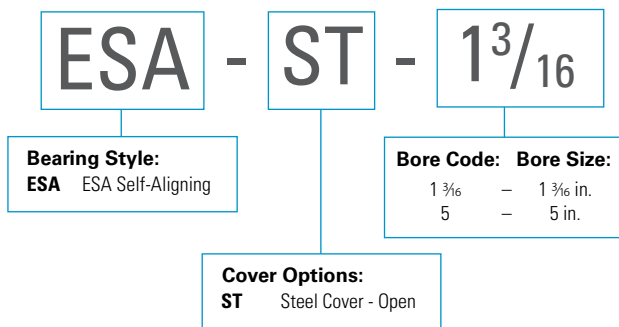
## DOUBLE LOCKING COLLAR NOMENCLATURE



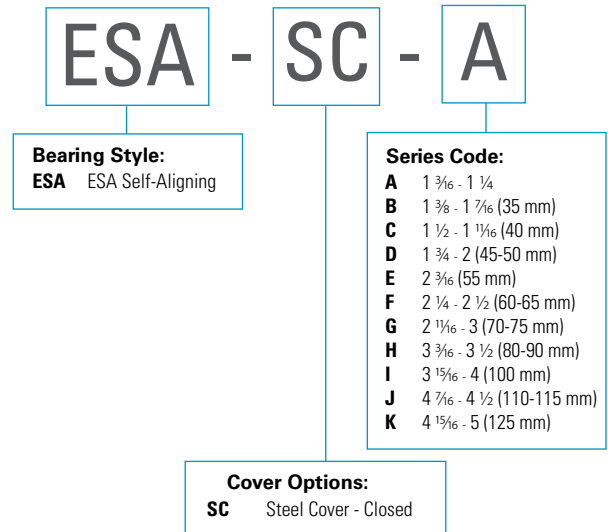
## SINGLE LOCKING COLLAR NOMENCLATURE



## OPEN END COVER NOMENCLATURE



## CLOSED END COVER NOMENCLATURE



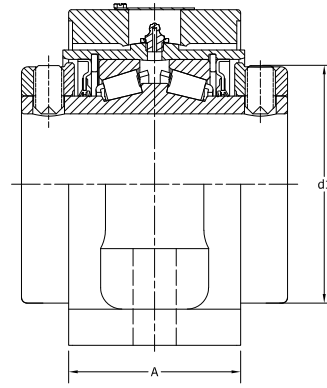
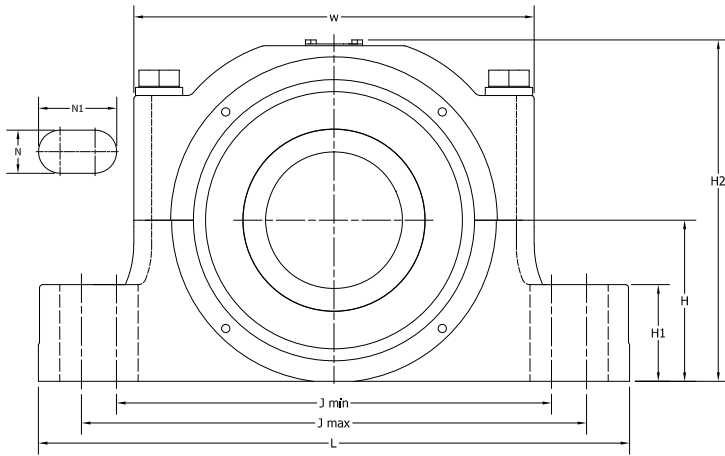




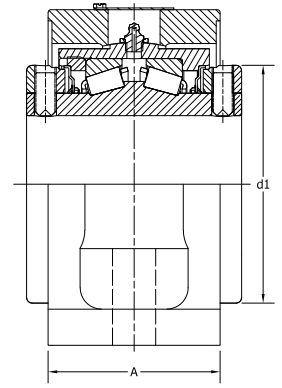




# SELF-ALIGNING DI (DISA) MOUNTED TAPERED ROLLER BEARING: TWO-BOLT BASE



FROM SIZES 1 3/16" – 3"



FROM SIZES 3" – 5"

| Shaft Dia.   | Housing Part No. Non-Expansion | Housing Part No. Expansion | B         | L         | A         | J min.    | J max.    | Bolt Dia  | N         | N1        | H1        | H2        | d1        | H         | W         | Expansion | Approx. Wt. |
|--------------|--------------------------------|----------------------------|-----------|-----------|-----------|-----------|-----------|-----------|-----------|-----------|-----------|-----------|-----------|-----------|-----------|-----------|-------------|
| mm<br>in.    |                                |                            | mm<br>in. | mm<br>in. | mm<br>in. | mm<br>in. | mm<br>in. | mm<br>in. | mm<br>in. | mm<br>in. | mm<br>in. | mm<br>in. | mm<br>in. | mm<br>in. | mm<br>in. | mm<br>in. | kg<br>lbs.  |
| 1 3/16       | DISA-P2B-TRB-1 3/16            | DISA-P2B-TRB-1 3/16E       | 69.9      | 190.5     | 47.8      | 142.9     | 161.9     | M12       | 13.5      | 23.0      | 22.3      | 103.9     | 57.2      | 54.0      | 103.2     | 14.2      | 2.9         |
| 1 1/4        | DISA-P2B-TRB-1 1/4             | DISA-P2B-TRB-1 1/4E        | 2 3/4     | 7 1/2     | 1 7/8     | 5 5/8     | 6 3/8     | 1/2       | 7/32      | 29/32     | 7/8       | 4 3/32    | 2 1/4     | 2 1/8     | 4 1/16    | 9/16      | 6.4         |
| 1 3/8        | DISA-P2B-TRB-1 3/8             | DISA-P2B-TRB-1 3/8E        | 76.2      | 204.8     | 55.6      | 150.0     | 177.8     | M12       | 14.3      | 28.2      | 29        | 117.1     | 69.9      | 60.3      | 117.6     | 14.2      | 5.5         |
| 1 7/16       | DISA-P2B-TRB-1 7/16            | DISA-P2B-TRB-1 7/16E       |           |           |           |           |           |           |           |           |           |           |           |           |           |           |             |
| <b>35 MM</b> | <b>DISA-P2B-TRB-35MM</b>       | <b>DISA-P2B-TRB-35MME</b>  | 3         | 8 1/16    | 2 3/16    | 5 29/32   | 7         | 1/2       | 9/16      | 1 7/64    | 1 1/64    | 4 39/64   | 2 3/4     | 2 3/8     | 4 5/8     | 9/16      | 12.0        |
| 1 1/2        | DISA-P2B-TRB-1 1/2             | DISA-P2B-TRB-1 1/2E        | 85.9      | 205.2     | 60.20     | 155.2     | 177.8     | M12       | 14.3      | 28.2      | 29        | 127.8     | 80.9      | 66.7      | 130.3     | 14.2      | 6.8         |
| 1 5/8        | DISA-P2B-TRB-1 5/8             | DISA-P2B-TRB-1 5/8E        |           |           |           |           |           |           |           |           |           |           |           |           |           |           |             |
| 1 11/16      | DISA-P2B-TRB-1 11/16           | DISA-P2B-TRB-1 11/16E      |           |           |           |           |           |           |           |           |           |           |           |           |           |           |             |
| <b>40MM</b>  | <b>DISA-P2B-TRB-40MM</b>       | <b>DISA-P2B-TRB-40MME</b>  | 3 3/8     | 8 5/64    | 2 3/8     | 6 7/64    | 7         | 1/2       | 9/16      | 1 7/64    | 1 1/64    | 5 1/32    | 3 3/16    | 2 5/8     | 5 1/8     | 9/16      | 15.1        |
| 1 3/4        | DISA-P2B-TRB-1 3/4             | DISA-P2B-TRB-1 3/4E        | 88.9      | 254.0     | 64.3      | 160.0     | 214.3     | M12       | 14.3      | 41.5      | 28.2      | 138.9     | 87.3      | 73.0      | 141.2     | 14.2      | 7.9         |
| 1 7/8        | DISA-P2B-TRB-1 7/8             | DISA-P2B-TRB-1 7/8E        |           |           |           |           |           |           |           |           |           |           |           |           |           |           |             |
| <b>45MM</b>  | <b>DISA-P2B-TRB-45MM</b>       | <b>DISA-P2B-TRB-45MME</b>  | 3 1/2     | 10        | 2 17/32   | 6 9/64    | 8 7/16    | 1/2       | 9/16      | 1 5/8     | 1 7/64    | 5 15/32   | 3 7/16    | 2 7/8     | 5 9/16    | 9/16      | 17.5        |
| 1 15/16      | DISA-P2B-TRB-1 15/16           | DISA-P2B-TRB-1 15/16E      | 88.9      | 254.0     | 64.3      | 165.1     | 221.1     | M16       | 17.5      | 45.6      | 31.8      | 138.9     | 87.3      | 73.0      | 141.2     | 14.2      | 7.9         |
| 2            | DISA-P2B-TRB-2                 | DISA-P2B-TRB-2E            |           |           |           |           |           |           |           |           |           |           |           |           |           |           |             |
| <b>50MM</b>  | <b>DISA-P2B-TRB-50MM</b>       | <b>DISA-P2B-TRB-50MME</b>  | 3 1/2     | 10        | 2 17/32   | 6 1/2     | 8 45/64   | 5/8       | 1 1/16    | 1 51/64   | 1 1/4     | 5 15/32   | 3 7/16    | 2 7/8     | 5 9/16    | 9/16      | 17.5        |
| 2 3/16       | DISA-P2B-TRB-2 3/16            | DISA-P2B-TRB-2 3/16E       | 95.3      | 273.1     | 67.3      | 177.8     | 241.3     | M16       | 17.5      | 49.2      | 31.8      | 150.0     | 95.3      | 76.2      | 152.4     | 14.2      | 9.5         |
| <b>55MM</b>  | <b>DISA-P2B-TRB-55MM</b>       | <b>DISA-P2B-TRB-55MME</b>  |           |           |           |           |           |           |           |           |           |           |           |           |           |           |             |
| 2 1/4        | DISA-P2B-TRB-2 1/4             | DISA-P2B-TRB-2 1/4E        | 101.6     | 304.8     | 73.2      | 200.0     | 260.4     | M16       | 17.5      | 47.6      | 34.9      | 169.1     | 103.2     | 82.6      | 162.7     | 14.2      | 13.5        |
| <b>60MM</b>  | <b>DISA-P2B-TRB-60MM</b>       | <b>DISA-P2B-TRB-60MME</b>  |           |           |           |           |           |           |           |           |           |           |           |           |           |           |             |
| 2 7/16       | DISA-P2B-TRB-2 7/16            | DISA-P2B-TRB-2 7/16E       |           |           |           |           |           |           |           |           |           |           |           |           |           |           |             |
| 2 1/2        | DISA-P2B-TRB-2 1/2             | DISA-P2B-TRB-2 1/2E        |           |           |           |           |           |           |           |           |           |           |           |           |           |           |             |
| <b>65MM</b>  | <b>DISA-P2B-TRB-65MM</b>       | <b>DISA-P2B-TRB-65MME</b>  | 4         | 12        | 2 7/8     | 7 7/8     | 10 1/4    | 5/8       | 1 1/16    | 1 7/8     | 1 3/8     | 6 21/32   | 4 1/16    | 3 1/4     | 6 19/32   | 9/16      | 29.9        |













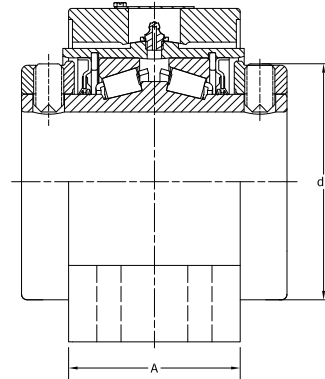
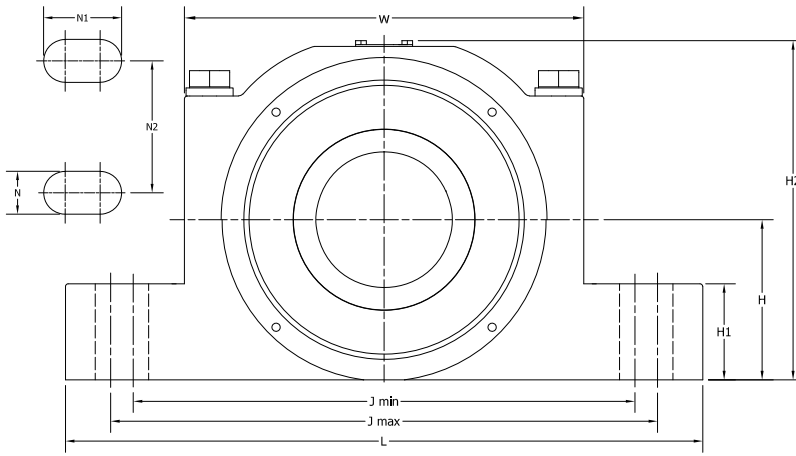




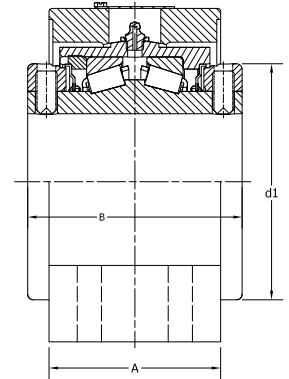




# SELF-ALIGNING SAF (SAFSA) MOUNTED TAPERED ROLLER BEARING: FOUR-BOLT BASE



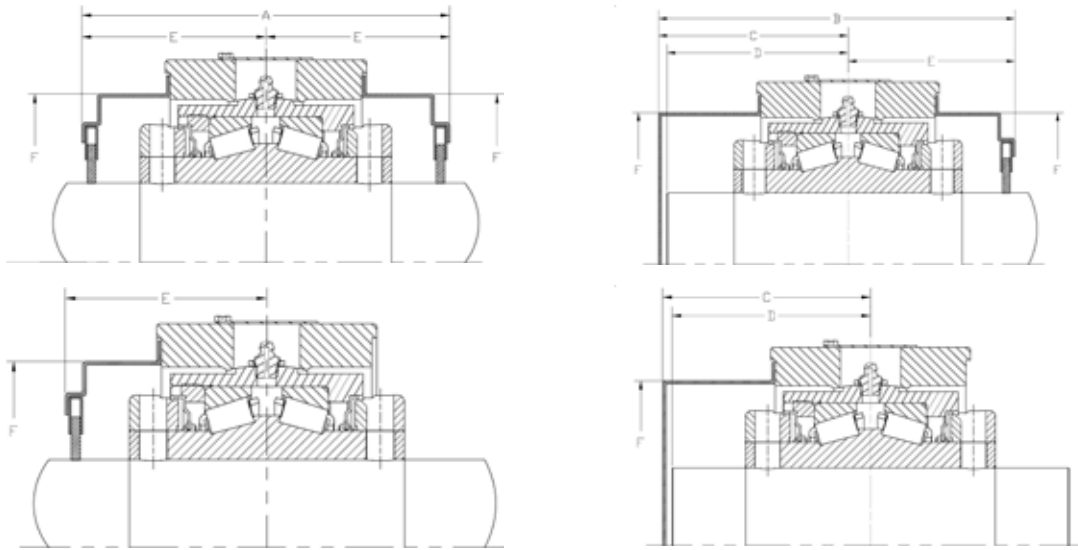
FROM SIZES 1 3/16" - 3"



FROM SIZES 3" - 5"

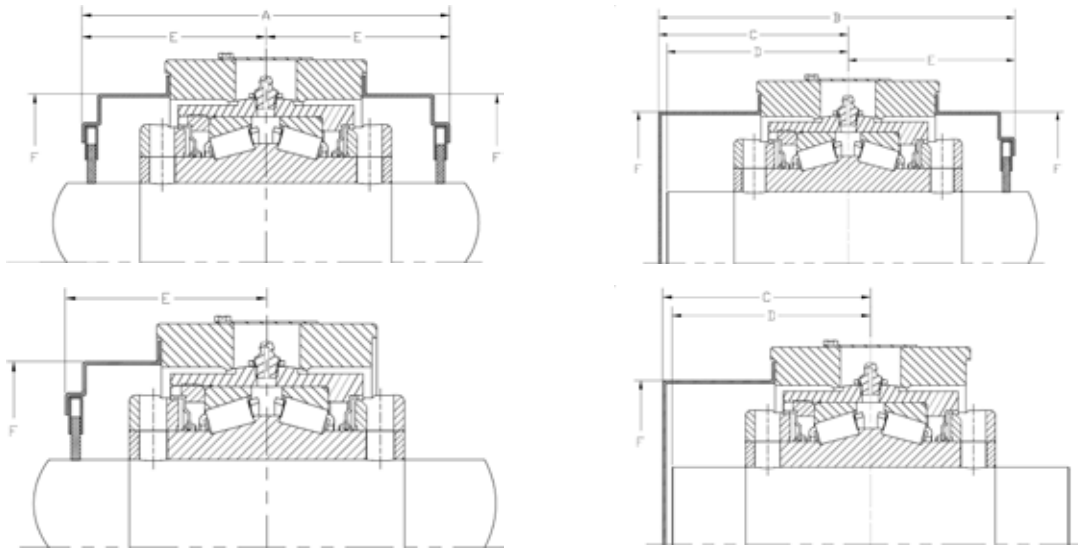
| Shaft Dia. | Housing Part No. Non-Expansion | Housing Part No. Expansion | B               | L               | A                | J min.          | J max.           | Bolt Dia     | N              | N1             | N2             | H1            | H2                | d1               | H                | W                 | Expansion    | Approx. Wt. |
|------------|--------------------------------|----------------------------|-----------------|-----------------|------------------|-----------------|------------------|--------------|----------------|----------------|----------------|---------------|-------------------|------------------|------------------|-------------------|--------------|-------------|
| mm<br>in.  |                                |                            | mm<br>in.       | mm<br>in.       | mm<br>in.        | mm<br>in.       | mm<br>in.        | mm<br>in.    | mm<br>in.      | mm<br>in.      | mm<br>in.      | mm<br>in.     | mm<br>in.         | mm<br>in.        | mm<br>in.        | mm<br>in.         | mm<br>in.    | kg<br>lbs.  |
| 4 1/16     | SAFSA-P4B-TRB-4 1/16           | SAFSA-P4B-TRB-4 1/16E      | 184.2<br>7 1/4  | 520.7<br>20 1/2 | 143.7<br>5 7/32  | 384.2<br>15 1/8 | 408.0<br>16 1/16 | M24<br>1     | 27.0<br>1 1/16 | 64.3<br>2 1/2  | 85.7<br>3 3/8  | 76.2<br>3     | 297.2<br>11 45/64 | 196.9<br>7 3/4   | 152.4<br>6       | 323.1<br>12 23/32 | 14.2<br>9/16 | 58.7        |
| 5          | SAFSA-P4B-TRB-5                | SAFSA-P4B-TRB-5E           |                 |                 |                  |                 |                  |              |                |                |                |               |                   |                  |                  |                   |              | 129.4       |
| 125MM      | SAFSA-P4B-TRB-125MM            | SAFSA-P4B-TRB-125MME       | 228.6<br>9      | 539.8<br>21 1/4 | 160.0<br>6 19/64 | 431.8<br>17     | 489.0<br>19 1/4  | M24<br>1     | 27.0<br>1 1/16 | 55.6<br>2 3/16 | 95.3<br>3 3/4  | 73.0<br>2 7/8 | 344.7<br>13 37/64 | 238.1<br>9 3/8   | 160.3<br>6 5/16  | 384.3<br>15 1/8   | 14.2<br>9/16 | 140.6       |
| 135MM      | SAFSA-P4B-TRB-135MM            | SAFSA-P4B-TRB-135MME       |                 |                 |                  |                 |                  |              |                |                |                |               |                   |                  |                  |                   |              | 310         |
| 5 7/16     | SAFSA-P4B-TRB-5 7/16           | SAFSA-P4B-TRB-5 7/16E      | 228.6<br>9      | 539.8<br>21 1/4 | 160.0<br>6 19/64 | 431.8<br>17     | 489.0<br>19 1/4  | M24<br>1     | 27.0<br>1 1/16 | 55.6<br>2 3/16 | 95.3<br>3 3/4  | 82.6<br>3 1/4 | 354.7<br>13 33/32 | 238.1<br>9 3/8   | 169.9<br>6 11/16 | 384.3<br>15 1/8   | 14.2<br>9/16 | 144.2       |
| 5 1/2      | SAFSA-P4B-TRB-5 1/2            | SAFSA-P4B-TRB-5 1/2E       |                 |                 |                  |                 |                  |              |                |                |                |               |                   |                  |                  |                   |              | 318         |
| 140MM      | SAFSA-P4B-TRB-140MM            | SAFSA-P4B-TRB-140MM        | 228.6<br>9      | 628.6<br>24 3/4 | 171.5<br>6 3/4   | 482.6<br>19     | 549.3<br>21 5/8  | M24<br>1     | 28.6<br>1 1/8  | 62.0<br>2 7/16 | 108.0<br>4 1/4 | 82.6<br>3 1/4 | 364.2<br>14 11/32 | 238.1<br>9 3/8   | 179.3<br>7 1/16  | 384.3<br>15 1/8   | 14.2<br>9/16 | 155.6       |
| 5 15/16    | SAFSA-P4B-TRB-5 15/16          | SAFSA-P4B-TRB-5 15/16E     |                 |                 |                  |                 |                  |              |                |                |                |               |                   |                  |                  |                   |              | 343         |
| 6          | SAFSA-P4B-TRB-6                | SAFSA-P4B-TRB-6E           | 266.7<br>10 1/2 | 679.5<br>26 3/4 | 181.1<br>7 7/8   | 530.2<br>20 7/8 | 287.3<br>23 5/8  | M24<br>1     | 28.6<br>1 1/8  | 63.5<br>2 1/2  | 117.5<br>4 5/8 | 88.9<br>3 1/2 | 405.6<br>15 39/32 | 290.5<br>11 7/16 | 95.3<br>7 1/2    | 465.1<br>18 3/16  | 14.2<br>9/16 | 250.4       |
| 6 1/2      | SAFSA-P4B-TRB-6 1/2            | SAFSA-P4B-TRB-6 1/2E       |                 |                 |                  |                 |                  |              |                |                |                |               |                   |                  |                  |                   |              | 552         |
| 170MM      | SAFSA-P4B-TRB-170MM            | SAFSA-P4B-TRB-170MME       | 266.7<br>10 1/2 | 711.2<br>28     | 181.1<br>7 7/8   | 549.3<br>21 5/8 | 619.1<br>24 3/8  | M30<br>1 1/4 | 34.9<br>1 3/8  | 69.9<br>2 3/4  | 114.3<br>4 1/2 | 88.9<br>3 1/2 | 415.3<br>16 23/64 | 290.5<br>11 7/16 | 200.0<br>7 7/8   | 465.1<br>18 5/16  | 14.2<br>9/16 | 252.2       |
| 6 15/16    | SAFSA-P4B-TRB-6 15/16          | SAFSA-P4B-TRB-6 15/16E     |                 |                 |                  |                 |                  |              |                |                |                |               |                   |                  |                  |                   |              | 556         |
| 7          | SAFSA-P4B-TRB-7                | SAFSA-P4B-TRB-7E           | 266.7<br>10 1/2 | 749.3<br>29 1/2 | 181.1<br>7 7/8   | 571.5<br>22 1/2 | 635.0<br>25      | M30<br>1 1/4 | 34.9<br>1 3/8  | 52.8<br>2 5/8  | 127.0<br>5     | 88.9<br>3 1/2 | 424.7<br>16 23/32 | 290.5<br>11 7/16 | 209.6<br>8 1/4   | 465.1<br>18 5/16  | 14.2<br>9/16 | 250.4       |
| 180MM      | SAFSA-P4B-TRB-180MM            | SAFSA-P4B-TRB-180MME       |                 |                 |                  |                 |                  |              |                |                |                |               |                   |                  |                  |                   |              | 552         |

# SELF ALIGNING SECONDARY COVERS



| Cover Part Number  | Shaft Dia.  | Steel Cover Dimension |              |             |             |             |              |
|--------------------|-------------|-----------------------|--------------|-------------|-------------|-------------|--------------|
|                    |             | A                     | B            | C           | D           | E           | F            |
| ESASC-A            | Closed      | <b>112.9</b>          | <b>121.9</b> | <b>65.5</b> | <b>61.8</b> | <b>56.5</b> | <b>74.7</b>  |
| ESAST-1 3/16       | 1 3/16      |                       |              |             |             |             |              |
| ESAST-1 1/4        | 1 1/4       |                       |              |             |             |             |              |
| ESASC-B            | Closed      | <b>120.8</b>          | <b>135.7</b> | <b>75.3</b> | <b>71.2</b> | <b>60.4</b> | <b>89.7</b>  |
| ESAST-1 3/8        | 1 3/8       |                       |              |             |             |             |              |
| ESAST-1 7/16       | 1 7/16      |                       |              |             |             |             |              |
| <b>ESAST-35MME</b> | <b>35MM</b> |                       |              |             |             |             |              |
| ESASC-C            | Closed      | <b>119.9</b>          | <b>143.7</b> | <b>83.7</b> | <b>79.7</b> | <b>60.0</b> | <b>103.6</b> |
| ESAST-1 1/2        | 1 1/2       |                       |              |             |             |             |              |
| ESAST-1 5/8        | 1 5/8       |                       |              |             |             |             |              |
| ESAST-1 11/16      | 1 11/16     |                       |              |             |             |             |              |
| <b>ESAST-40MME</b> | <b>40MM</b> |                       |              |             |             |             |              |
| ESASC-D            | Closed      | <b>124.3</b>          | <b>148.0</b> | <b>85.9</b> | <b>81.8</b> | <b>62.1</b> | <b>103.6</b> |
| ESAST-1 3/4        | 1 3/4       |                       |              |             |             |             |              |
| ESAST-1 7/8        | 1 7/8       |                       |              |             |             |             |              |
| ESAST-1 15/16      | 1 15/16     |                       |              |             |             |             |              |
| ESAST-2            | 2           |                       |              |             |             |             |              |
| <b>ESAST-45MME</b> | <b>45MM</b> |                       |              |             |             |             |              |
| <b>ESAST-50MME</b> | <b>50MM</b> |                       |              |             |             |             |              |
| ESASC-E            | Closed      | <b>139.6</b>          | <b>157.1</b> | <b>87.3</b> | <b>83.2</b> | <b>69.8</b> | <b>116.0</b> |
| ESAST-2 3/16       | 2 3/16      |                       |              |             |             |             |              |
| <b>ESAST-55MME</b> | <b>55MM</b> |                       |              |             |             |             |              |
| ESASC-F            | Closed      | <b>131.5</b>          | <b>153.4</b> | <b>87.7</b> | <b>83.6</b> | <b>65.8</b> | <b>132.1</b> |
| ESAST-2 1/4        | 2 1/4       |                       |              |             |             |             |              |
| ESAST-2 7/16       | 2 7/16      |                       |              |             |             |             |              |
| ESAST-2 1/2        | 2 1/2       |                       |              |             |             |             |              |
| <b>ESAST-60MME</b> | <b>60MM</b> |                       |              |             |             |             |              |
| <b>ESAST-65MME</b> | <b>65MM</b> |                       |              |             |             |             |              |

# SELF ALIGNING SECONDARY COVERS



| Cover Part Number   | Shaft Dia.   | Steel Cover Dimension   |                         |                         |                         |                         |                        |
|---------------------|--------------|-------------------------|-------------------------|-------------------------|-------------------------|-------------------------|------------------------|
|                     |              | A                       | B                       | C                       | D                       | E                       | F                      |
| ESASC-G             | Closed       | <b>164.3</b><br>6 15/32 | <b>187.5</b><br>7 3/8   | <b>105.3</b><br>4 5/32  | <b>101.3</b><br>4       | <b>82.2</b><br>3 1/4    | <b>139.5</b><br>5 1/2  |
| ESAST-2 1/16        | 2 1/16       |                         |                         |                         |                         |                         |                        |
| ESAST-2 3/4         | 2 3/4        |                         |                         |                         |                         |                         |                        |
| ESAST-3             | 3            |                         |                         |                         |                         |                         |                        |
| <b>ESAST-70MM</b>   | <b>70MM</b>  |                         |                         |                         |                         |                         |                        |
| <b>ESAST-75MM</b>   | <b>75MM</b>  | <b>186.4</b><br>7 11/32 | <b>199.1</b><br>7 13/16 | <b>105.9</b><br>4 5/32  | <b>101.9</b><br>4       | <b>93.2</b><br>3 23/32  | <b>171.5</b><br>6 3/4  |
| ESASC-H             | Closed       |                         |                         |                         |                         |                         |                        |
| ESAST-3 3/16        | 3 3/16       |                         |                         |                         |                         |                         |                        |
| ESAST-3 1/4         | 3 1/4        |                         |                         |                         |                         |                         |                        |
| ESAST-3 7/16        | 3 7/16       |                         |                         |                         |                         |                         |                        |
| ESAST-3 1/2         | 3 1/2        |                         |                         |                         |                         |                         |                        |
| <b>ESAST-80MME</b>  | <b>80MM</b>  | <b>205.2</b><br>8 3/32  | <b>218.3</b><br>8 19/32 | <b>115.1</b><br>4 17/32 | <b>111.3</b><br>4 3/8   | <b>102.4</b><br>4 1/32  | <b>186.9</b><br>7 3/8  |
| <b>ESAST-85MME</b>  | <b>85MM</b>  |                         |                         |                         |                         |                         |                        |
| <b>ESAST-90MME</b>  | <b>90MM</b>  |                         |                         |                         |                         |                         |                        |
| ESASC-I             | Closed       |                         |                         |                         |                         |                         |                        |
| ESAST-3 15/16       | 3 15/16      |                         |                         |                         |                         |                         |                        |
| ESAST-4             | 4            | <b>236.0</b><br>9 9/32  | <b>259.6</b><br>10 7/32 | <b>115.9</b><br>4 9/16  | <b>137.3</b><br>5 13/32 | <b>118.0</b><br>4 23/32 | <b>208.8</b><br>8 8/32 |
| <b>ESAST-100MME</b> | <b>100MM</b> |                         |                         |                         |                         |                         |                        |
| ESASC-J             | Closed       |                         |                         |                         |                         |                         |                        |
| ESAST-4 7/16        | 4 7/16       |                         |                         |                         |                         |                         |                        |
| ESAST-4 1/2         | 4 1/2        |                         |                         |                         |                         |                         |                        |
| <b>ESAST-110MM</b>  | <b>110MM</b> | <b>253.4</b><br>9 33/32 | <b>266.4</b><br>10 1/2  | <b>139.7</b><br>5 1/2   | <b>135.7</b><br>5 11/32 | <b>126.7</b><br>5       | <b>239.5</b><br>9 7/16 |
| <b>ESAST-115MM</b>  | <b>115MM</b> |                         |                         |                         |                         |                         |                        |
| ESASC-K             | Closed       |                         |                         |                         |                         |                         |                        |
| ESAST-4 15/16       | 4 15/16      |                         |                         |                         |                         |                         |                        |
| ESAST-5             | 5            |                         |                         |                         |                         |                         |                        |
| <b>ESAST-125MM</b>  | <b>125MM</b> |                         |                         |                         |                         |                         |                        |

# SELF-ALIGNING INTERCHANGE



## Pillow Block

| Dodge Part Number* |                | SealMaster Part Number*      |                     | TIMKEN              |  |  |
|--------------------|----------------|------------------------------|---------------------|---------------------|--|--|
| Assembled Unit     | Assembled Unit | Assembled Unit Single Collar | Cast Steel Housings | Assembled Unit*     | Optional Secondary Sealing Covers - OPEN | Optional Secondary Sealing Covers - CLOSED |
| P2B-EXL-103-R      | RPB-103-2      |                              |                     | ESA-P2B-TRB-1 3/16  | ESAST-1 3/16                             | ESASC-A                                    |
| P2B-EXL-104-R      | RPB-104-2      |                              |                     | ESA-P2B-TRB-1 1/4   | ESAST-1 1/4                              | ESASC-A                                    |
| P2B-EXL-106-R      | RPB-106-2      |                              |                     | ESA-P2B-TRB-1 3/8   | ESAST-1 3/8                              | ESASC-B                                    |
| P2B-EXL-107-R      | RPB-107-2      |                              |                     | ESA-P2B-TRB-1 7/16  | ESAST-1 7/16                             | ESASC-B                                    |
| P2B-EXL-108-R      | RPB-108-2      |                              | SPB-108-2           | ESA-P2B-TRB-1 1/2   | ESAST-1 1/2                              | ESASC-C                                    |
| P2B-EXL-110-R      | RPB-110-2      |                              | SPB-110-2           | ESA-P2B-TRB-1 5/8   | ESAST-1 5/8                              | ESASC-C                                    |
| P2B-EXL-111-R      | RPB-111-2      |                              | SPB-111-2           | ESA-P2B-TRB-1 11/16 | ESAST-1 11/16                            | ESASC-C                                    |
| P2B-EXL-112-R      | RPB-112-2      | RPBA-112-2                   | SPB-112-2           | ESA-P2B-TRB-1 3/4   | ESAST-1 3/4                              | ESASC-D                                    |
| P2B-EXL-114-R      | RPB-114-2      | RPBA-114-2                   | SPB-114-2           | ESA-P2B-TRB-1 7/8   | ESAST-1 7/8                              | ESASC-D                                    |
| P2B-EXL-115-R      | RPB-115-2      | RPBA-115-2                   | SPB-115-2           | ESA-P2B-TRB-1 15/16 | ESAST-1 15/16                            | ESASC-D                                    |
| P2B-EXL-200-R      | RPB-200-2      | RPBA-200-2                   | SPB-200-2           | ESA-P2B-TRB-2       | ESAST-2                                  | ESASC-D                                    |
| P2B-EXL-203-R      | RPB-203-2      | RPBA-203-2                   | SPB-203-2           | ESA-P2B-TRB-2 3/16  | ESAST-2 3/16                             | ESASC-E                                    |
| P2B-EXL-204-R      | RPB-204-2      | RPBA-204-2                   | SPB-204-2           | ESA-P2B-TRB-2 1/4   | ESAST-2 1/4                              | ESASC-F                                    |
| P2B-EXL-207-R      | RPB-207-2      | RPBA-207-2                   | SPB-207-2           | ESA-P2B-TRB-2 7/16  | ESAST-2 7/16                             | ESASC-F                                    |
| P2B-EXL-208-R      | RPB-208-2      | RPBA-208-2                   | SPB-208-2           | ESA-P2B-TRB-2 1/2   | ESAST-2 1/2                              | ESASC-F                                    |
| P2B-EXL-211-R      | RPB-211-2      | RPBA-211-2                   | SPB-211-2           | ESA-P2B-TRB-2 11/16 | ESAST-2 11/16                            | ESASC-G                                    |
| P2B-EXL-212-R      | RPB-212-2      | RPBA-212-2                   | SPB-212-2           | ESA-P2B-TRB-2 3/4   | ESAST-2 3/4                              | ESASC-G                                    |
| P2B-EXL-215-R      | RPB-215-2      | RPBA-215-2                   | SPB-215-2           | ESA-P2B-TRB-2 15/16 | ESAST-2 15/16                            | ESASC-G                                    |
| P2B-EXL-300-R      | RPB-300-2      | RPBA-300-2                   | SPB-300-2           | ESA-P2B-TRB-3       | ESAST-3                                  | ESASC-G                                    |
| P2B-EXL-303-R      | RPB-303-2      | RPBA-303-2                   | SPB-303-2           | ESA-P2B-TRB-3 3/16  | ESAST-3 3/16                             | ESASC-H                                    |
| P2B-EXL-304-R      | RPB-304-2      | RPBA-304-2                   | SPB-304-2           | ESA-P2B-TRB-3 1/4   | ESAST-3 1/4                              | ESASC-H                                    |
| P2B-EXL-307-R      | RPB-307-2      | RPBA-307-2                   | SPB-307-2           | ESA-P2B-TRB-3 7/16  | ESAST-3 7/16                             | ESASC-H                                    |
| P2B-EXL-308-R      | RPB-308-2      | RPBA-308-2                   | SPB-308-2           | ESA-P2B-TRB-3 1/2   | ESAST-3 1/2                              | ESASC-H                                    |
| P4B-EXL-204-R      | RPB-204-4      | RPBA-204-4                   |                     | ESA-P4B-TRB-2 1/4   | ESAST-2 1/4                              | ESASC-F                                    |
| P4B-EXL-207-R      | RPB-207-4      | RPBA-207-4                   |                     | ESA-P4B-TRB-2 7/16  | ESAST-2 7/16                             | ESASC-F                                    |
| P4B-EXL-208-R      | RPB-208-4      | RPBA-208-4                   |                     | ESA-P4B-TRB-2 1/2   | ESAST-2 1/2                              | ESASC-F                                    |
| P4B-EXL-211-R      | RPB-211-4      | RPBA-211-4                   |                     | ESA-P4B-TRB-2 11/16 | ESAST-2 11/16                            | ESASC-G                                    |
| P4B-EXL-212-R      | RPB-212-4      | RPBA-212-4                   |                     | ESA-P4B-TRB-2 3/4   | ESAST-2 3/4                              | ESASC-G                                    |
| P4B-EXL-215-R      | RPB-215-4      | RPBA-215-4                   |                     | ESA-P4B-TRB-2 15/16 | ESAST-2 15/16                            | ESASC-G                                    |
| P4B-EXL-300-R      | RPB-300-4      | RPBA-300-4                   |                     | ESA-P4B-TRB-3       | ESAST-3                                  | ESASC-G                                    |
| P4B-EXL-303-R      | RPB-303-4      | RPBA-303-4                   |                     | ESA-P4B-TRB-3 3/16  | ESAST-3 3/16                             | ESASC-H                                    |
| P4B-EXL-304-R      | RPB-304-4      | RPBA-304-4                   |                     | ESA-P4B-TRB-3 1/4   | ESAST-3 1/4                              | ESASC-H                                    |
| P4B-EXL-307-R      | RPB-307-4      | RPBA-307-4                   |                     | ESA-P4B-TRB-3 7/16  | ESAST-3 7/16                             | ESASC-H                                    |
| P4B-EXL-308-R      | RPB-308-4      | RPBA-308-4                   |                     | ESA-P4B-TRB-3 1/2   | ESAST-3 1/2                              | ESASC-H                                    |
| P4B-EXL-315-R      | RPB-315-4      | RPBA-315-4                   | SPB-315-4           | ESA-P4B-TRB-3 15/16 | ESAST-3 15/16                            | ESASC-I                                    |
| P4B-EXL-400-R      | RPB-400-4      |                              | SPB-400-4           | ESA-P4B-TRB-4       | ESAST-4                                  | ESASC-I                                    |
| P4B-EXL-407-R      | RPB-407-4      |                              | SPB-407-4           | ESA-P4B-TRB-4 7/16  | ESAST-4 7/16                             | ESASC-J                                    |
| P4B-EXL-408-R      | RPB-408-4      |                              | SPB-408-4           | ESA-P4B-TRB-4 1/2   | ESAST-4 1/2                              | ESASC-J                                    |
| P4B-EXL-415-R      | RPB-415-4      |                              | SPB-415-4           | ESA-P4B-TRB-4 15/16 | ESAST-4 15/16                            | ESASC-K                                    |
| P4B-EXL-500-R      | RPB-500-4      |                              | SPB-500-4           | ESA-P4B-TRB-5       | ESAST-5                                  | ESASC-K                                    |

\*Available in expansion and non-expansion type bearings

Note: SealMaster single collar has shorter length thru-bore than the Timken double collar.

# SELF-ALIGNING INTERCHANGE



## Four-Bolt Flange Block

| SealMaster Part Number* |                        | TIMKEN              |                      |                        |
|-------------------------|------------------------|---------------------|----------------------|------------------------|
| COMPLETE Double Collar  | COMPLETE Single Collar | Assembled Unit*     | Steel Open End Cover | Steel Closed End Cover |
| RFB-103                 | RFB-A-103              | ESA-4BF-TRB-1 3/16  | ESAST-1 3/16         | ESASC-A                |
| RFB-104                 | RFB-A-104              | ESA-4BF-TRB-1 1/4   | ESAST-1 1/4          | ESASC-A                |
| RFB-106                 | RFB-A-106              | ESA-4BF-TRB-1 3/8   | ESAST-1 7/16         | ESASC-B                |
| RFB-107                 | RFB-A-107              | ESA-4BF-TRB-1 7/16  | ESAST-1 7/16         | ESASC-B                |
| RFB-108                 | RFB-A-108              | ESA-4BF-TRB-1 1/2   | ESAST-1 1/2          | ESASC-C                |
| RFB-110                 | RFB-A-110              | ESA-4BF-TRB-1 5/8   | ESAST-1 5/8          | ESASC-C                |
| RFB-111                 | RFB-A-111              | ESA-4BF-TRB-1 11/16 | ESAST-1 11/16        | ESASC-C                |
| RFB-112                 | RFB-A-112              | ESA-4BF-TRB-1 3/4   | ESAST-1 3/4          | ESASC-D                |
| RFB-115                 | RFB-A-115              | ESA-4BF-TRB-1 15/16 | ESAST-1 15/16        | ESASC-D                |
| RFB-200                 | RFB-A-200              | ESA-4BF-TRB-1-2     | ESAST-2              | ESASC-D                |
| RFB-203                 | RFB-A-203              | ESA-4BF-TRB-2 3/16  | ESAST-2 3/16         | ESASC-E                |
| RFB-204                 | RFB-A-204              | ESA-4BF-TRB-2 1/4   | ESAST-2 1/4          | ESASC-F                |
| RFB-207                 | RFB-A-207              | ESA-4BF-TRB-2 7/16  | ESAST-2 7/16         | ESASC-F                |
| RFB-208                 | RFB-A-208              | ESA-4BF-TRB-2 1/2   | ESAST-2 1/2          | ESASC-F                |
| RFB-211                 | RFB-A-211              | ESA-4BF-TRB-2 11/16 | ESAST-2 11/16        | ESASC-G                |
| RFB-212                 | RFB-A-212              | ESA-4BF-TRB-2 3/4   | ESAST-2 3/4          | ESASC-G                |
| RFB-215                 | RFB-A-215              | ESA-4BF-TRB-2 15/16 | ESAST-2 15/16        | ESASC-G                |
| RFB-300                 | RFB-A-300              | ESA-4BF-TRB-3       | ESAST-3              | ESASC-G                |
| RFB-303                 | RFB-A-303              | ESA-4BF-TRB-3 3/16  | ESAST-3 3/16         | ESASC-H                |
| RFB-307                 | RFB-A-307              | ESA-4BF-TRB-3 7/16  | ESAST-3 7/16         | ESASC-H                |
| RFB-308                 | RFB-A-308              | ESA-4BF-TRB-3 1/2   | ESAST-3 1/2          | ESASC-H                |
| RFB-315                 | RFB-A-315              | ESA-4BF-TRB-3 15/16 | ESAST-3 15/16        | ESASC-I                |
| RFB-400                 | RFB-A-400              | ESA-4BF-TRB-4       | ESAST-4              | ESASC-I                |

\*Available in expansion and non-expansion type bearings

Note: SealMaster single collar has shorter length thru-bore than the Timken double collar.



08-24 Order No. 11266 POD | Timken® is a registered trademark of The Timken Company. | © 2024 The Timken Company | Printed in U.S.A.  
All other trademarks are the property of their respective owners.

## Call on Timken

For your nearest Timken sales representative, visit [www.timken.com](http://www.timken.com).

# TIMKEN

The Timken team applies their know-how to improve the reliability and performance of machinery in diverse markets worldwide. The company designs, makes and markets bearings, gear drives, automated lubrication systems, belts, brakes, clutches, chain, couplings, linear motion products and related industrial motion rebuild and repair services.

**Stronger. By Design.**

[www.timken.com](http://www.timken.com)