



## TIMKEN® SINGLE COLLAR MOUNTED TAPERED ROLLER BEARINGS

### BEAT EXPECTATIONS. EXCEED STANDARDS.

In the harshest, most demanding operating conditions, industrial applications need products that can manage high axial and radial loads while avoiding contamination. Timken® Single Collar Mounted Tapered Roller Bearings can meet these challenges head-on.

Now with a single collar and shorter bore length, we offer a product with a better load carrying capacity than industry standard tapered roller bearing designs — an ideal, more compact fit for industries like pulp and paper, power generation, mining, cement and aggregate.

Timken Single Collar Mounted Tapered Roller Bearings feature enhanced core components that can help reduce maintenance costs, increase uptime and lower overall cost of ownership. Enjoy premium performance with an unrivaled multi-point internal and external sealing solution while our full range of end covers protects bearings and improves grease retention — all resulting in significantly increased uptime even in severely contaminated and wet environments. These bearing housing styles also can use the single collar inserts, pillow blocks, flange blocks, flange cartridges and take ups.

### Timken Advantage

- **High Performance Seals.** Our high performance triple-lip barrier seals optimize seal contact to provide enhanced grease retention and protection against mud, water and salt ingress.
- **Locking Single Collars.** Timken's single collar mounted roller bearings can be used in applications where bore length limitations exist, replacing the double collar products that are usually employed.
- **Protective Housing.** With interchangeable bolt holes and shaft centerline dimensions, our electrodeposition coated (E-coated) housings offer superior corrosion resistance compared to black oxide or powder coating.
- **Superior Bearings.** As with all Timken® products, these units feature premium tapered roller bearings to deliver longer bearing life and better performance.

### Gain Solutions That:

#### Resist Contamination.

Our seals offer not only improved grease retention, but with a rotating collar that acts as an initial flinger, they significantly reduce contaminant ingress. Made of advanced material, our seals provide enhanced performance with twice the abrasion resistance of industry standard nitrile seal.

#### Extend Performance.

Externally, with E-coating protecting all surfaces, Timken Single Collar Mounted Tapered Roller Bearings stand up to corrosion better than those treated with black oxide and powder-coating. Internally, our bearings are made of super-clean, high-alloy steel with improved surface finishes, giving them 47% increased calculated life over competitors' bearings.

#### Handle Tough Applications.

We address challenging applications using our Type E or Self Aligning mounted bearings, thanks to our outstanding triple barrier sealing, high load rating, and secondary sealing options.



# TIMKEN MOUNTED TAPERED ROLLER BEARING SECONDARY SEALING SYSTEM



Unlock premium performance with an unrivaled multi-point internal and external sealing solution. Our full range of end covers protects bearings and improves grease retention. Users reported significantly increased uptime in severely contaminated and wet environments.

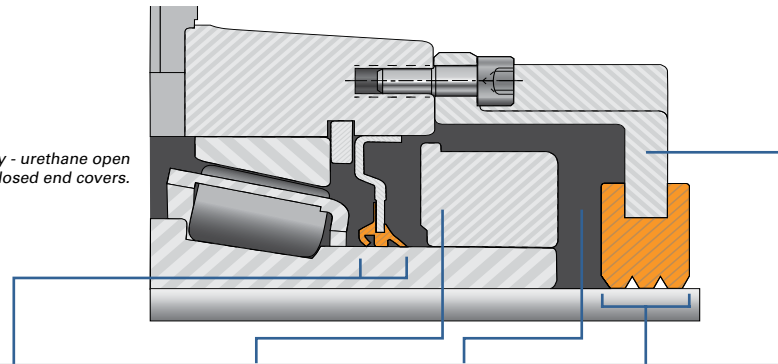
- Available in the full range of units from 1 3/16 in. to 7 in. and 35 mm to 180 mm.
- Outboard contact lip provides initial protection from ingress and inboard contact lip provides secondary protection.

- A triple barrier internal seal withstands abrasion and keeps bearings performing even in harsh, dirty environments.
- Rugged, cost effective covers are designed to fight heavy contamination in industries where particulates are a challenge.
- All units can accommodate end covers, which can be purchased separately.



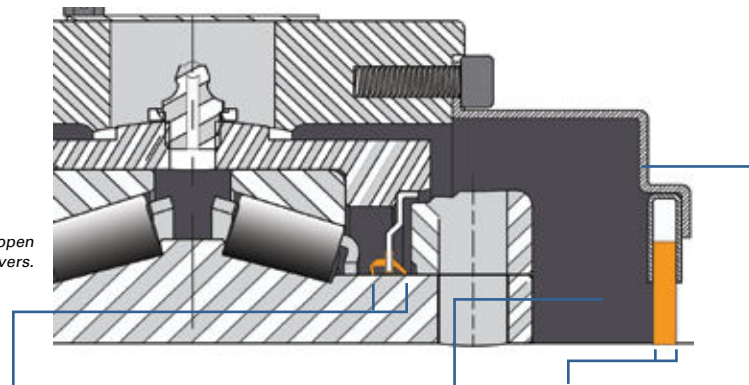
## UNRIVALED MULTI-POINT SEALING SYSTEM

Type E only - urethane open and closed end covers.



<b>Upgraded triple-barrier internal bearing seal</b> <ul style="list-style-type: none"> <li>• Two contact lips and one rigid middle labyrinth section to help retain grease and reduce contamination ingress</li> <li>• New enhanced seal material to provide greater performance with two times more abrasion resistance than the industry standard nitrile seal</li> </ul>	Locking collar	Grease in cavity of end cover	Triple-lip external rubber through shaft seal	External secondary cover
3	1	1	3	1

Self Aligning only - steel open and closed Teflon sealed covers.



<ul style="list-style-type: none"> <li>• Two contact lips and one rigid middle labyrinth section to help retain grease and reduce contamination ingress</li> <li>• New enhanced seal material to provide greater performance with two times more abrasion resistance than the industry standard nitrile seal</li> </ul>	Full grease pack in cover (all covers have grease zerks)	Single lip Teflon through Shaft Seal	External through shaft cover (steel)
3	1	1	1

*This cover is only available for Self-Aligning mounted bearings.*

# TIMKEN

The Timken team applies their know-how to improve the reliability and performance of machinery in diverse markets worldwide. The company designs, makes and markets bearings, gear drives, automated lubrication systems, belts, brakes, clutches, chain, couplings, linear motion products and related industrial motion rebuild and repair services.

**Stronger. By Design.**

[www.timken.com](http://www.timken.com)