



TIMKEN® TYPE E MOUNTED TAPERED ROLLER BEARING SECONDARY SEALING SYSTEM

TIMKEN OFFERS THE MOST ROBUST SEALING SYSTEM IN THE INDUSTRY FOR TYPE E MOUNTED BEARINGS.

- Help your Type E unit last longer against contamination and moisture with the Timken unrivaled multi-point sealing system.

Users of this sealing system reported significantly increased uptime in severely contaminated and wet environments.

- Give your mounted bearing extra protection with rugged, cost-effective covers designed to fight heavy contamination in industries where particulates are a challenge.
- Keep your bearings performing, even in harsh, dirty applications with the higher abrasion-resistant triple-barrier internal seal (**standard in all units**).
- Type E Secondary Sealing System available in the full range of units from $\frac{13}{16}$ in. to 5 in. and 35 mm to 100 mm.
- **All units can accommodate end covers which can also be purchased separately.**



Pillow Block: Two-Bolt Base



Pillow Block: Four-Bolt Base



Flange: Four-Bolt



Flange: Piloted



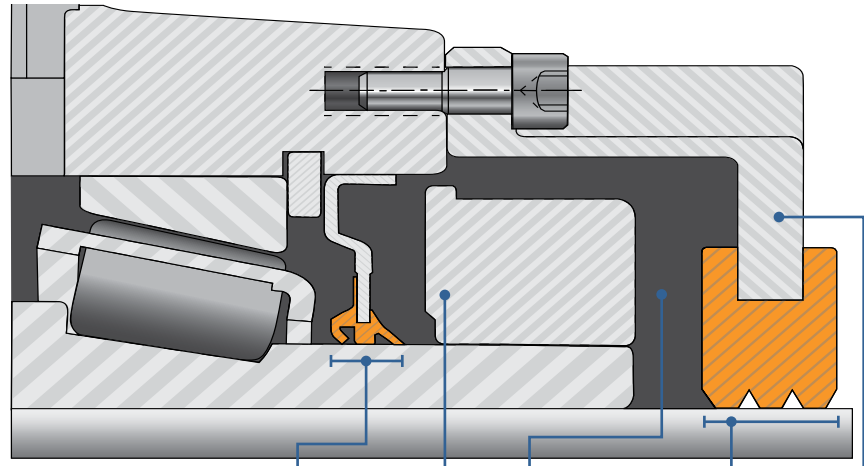
Take-Up: Wide Slot



Take-Up: Top Angle



UNRIVALED MULTI-POINT SEALING SYSTEM



Upgraded triple-barrier internal bearing seal

- Two contact lips and one rigid middle labyrinth section to help retain grease and reduce contamination ingress
- New enhanced seal material to provide greater performance with 2X more abrasion resistance than the industry standard nitrile seal

Locking collar

Grease in cavity of end cover

Triple-lip external rubber through shaft seal

External secondary cover

Points of Sealing:

3

1

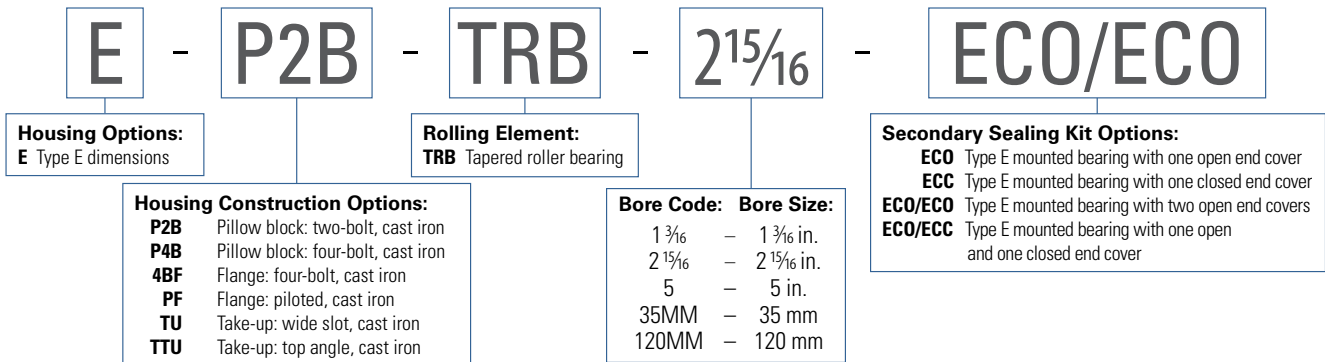
1

3

1

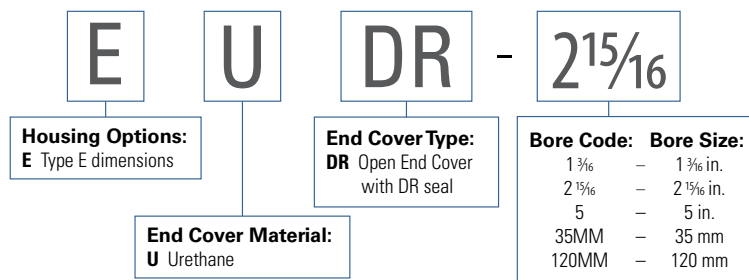
TYPE E MOUNTED TAPERED ROLLER BEARING SECONDARY SEALING SYSTEM NOMENCLATURE

Sealing System kits include Type E mounted bearing and end covers and will come with upgraded higher abrasion-resistant bearing seals.

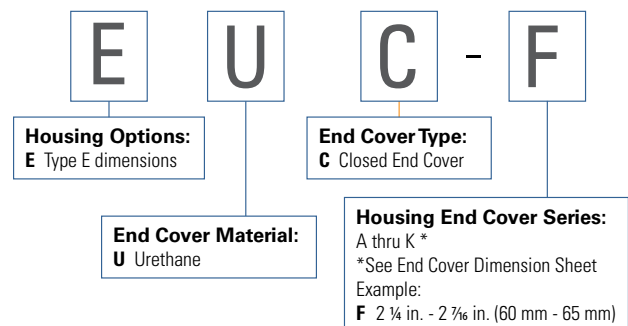


Single covers available for purchase.

Open End Cover Nomenclature.



Closed End Cover Nomenclature.



The Timken team applies their know-how to improve the reliability and performance of machinery in diverse markets worldwide. The company designs, makes and markets bearings, gear drives, automated lubrication systems, belts, brakes, clutches, chain, couplings, linear motion products and related industrial motion rebuild and repair services.

Stronger. By Design.

www.timken.com