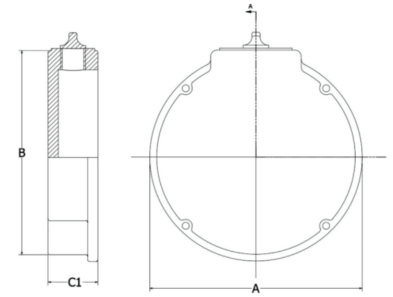


## TYPE E HOUSED UNIT SECONDARY SEALING SYSTEM

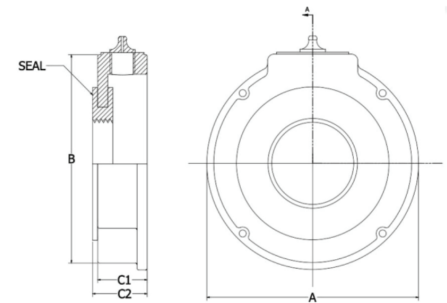
### OPEN AND CLOSED END COVER DIMENSIONS

OPEN AND CLOSED END COVER DIMENSIONS (IN.)

Shaft Size	Open End Cover	A	B	C1	C2	Closed Cover
in. mm	in. mm	in.	in.	in.	in.	
1 3/16, 1 1/4	EUDR-1 3/16 to EUDR-1 1/4	2.85	–	1.00	1.10	EUC-A
1 3/8, 1 7/16 35mm	EUDR-1 3/8 to EUDR-1 7/16 EUDR-35MM	3.35	–	1.00	1.10	EUC-B
1 1/2, 1 5/8, 1 11/16 40mm	EUDR-1 1/2 to EUDR-1 11/16 EUDR-40MM	3.95	3.69	0.98	1.08	EUC-C
1 3/4, 1 7/8, 1 15/16, 2 45mm, 50mm	EUDR-1 3/4 to EUDR-2 EUDR-45MM to EUDR-50MM	4.20	3.94	0.98	1.08	EUC-D
2 3/16 55mm	EUDR-2 3/16 EUDR-55MM	4.70	4.35	1.08	1.18	EUC-E
2 1/4, 2 1/2, 2 7/16 60mm, 65mm	EUDR-2 1/4 to EUDR-2 7/16 EUDR-60MM to EUDR-65MM	4.95	4.57	1.08	1.18	EUC-F
2 11/16, 2 3/4, 2 15/16, 3 70mm, 75mm	EUDR-2 11/16 to EUDR-3 EUDR-70MM to EUDR-75MM	5.65	5.22	1.20	1.30	EUC-G
3 3/16, 3 1/4, 3 7/16, 3 1/2 80mm, 85mm, 90mm	EUDR-3 3/16 to EUDR-3 1/2 EUDR-80MM to EUDR-90MM	6.70	6.19	1.20	1.30	EUC-H
3 15/16, 4 100mm	EUDR-3 15/16 TO EUDR-4 EUDR-100MM	7.43	6.89	1.33	1.43	EUC-I
4 7/16, 4 1/2 110mm, 115mm	EUDR-4 7/16 to EUDR-4 1/2 EUDR-110MM to EUDR-115MM	8.25	7.70	1.64	1.74	EUC-J
4 15/16, 5 125mm	EUDR-4 15/16 to EUDR-5 EUDR-125MM	10.35	9.70	1.54	1.64	EUC-K
5 7/16, 5 1/2, 5 15/16, 6 135mm, 140mm, 150mm	EUDR-5 7/16 to EUDR-6 EUDR-135mm to EUDR-150mm	11.50	11.50	1.55	1.75	EUC-L
6 7/16, 6 1/2, 6 15/16, 7 170mm, 180mm	EUDR-6 7/16 to EUDR-7 EUDR-170mm to EUDR-180mm	13.50	13.50	2.10	1.90	EUC-M

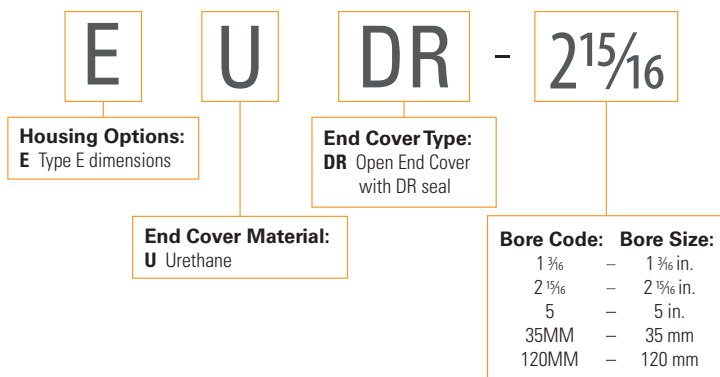


CLOSED END COVER



OPEN END COVER

#### Open End Cover Nomenclature.



#### Closed End Cover Nomenclature.

