

# TIMKEN PREMIUM WHEEL END SEALS

# TIMKEN

Timken. A long-standing brand trusted by fleets because we understand commercial vehicle applications and the value of uptime. Your confidence is our commitment, providing products with reliable operation and outstanding performance designed to **MAXIMIZE FLEET UPTIME, OPERATIONS AND YOUR BOTTOM LINE.**

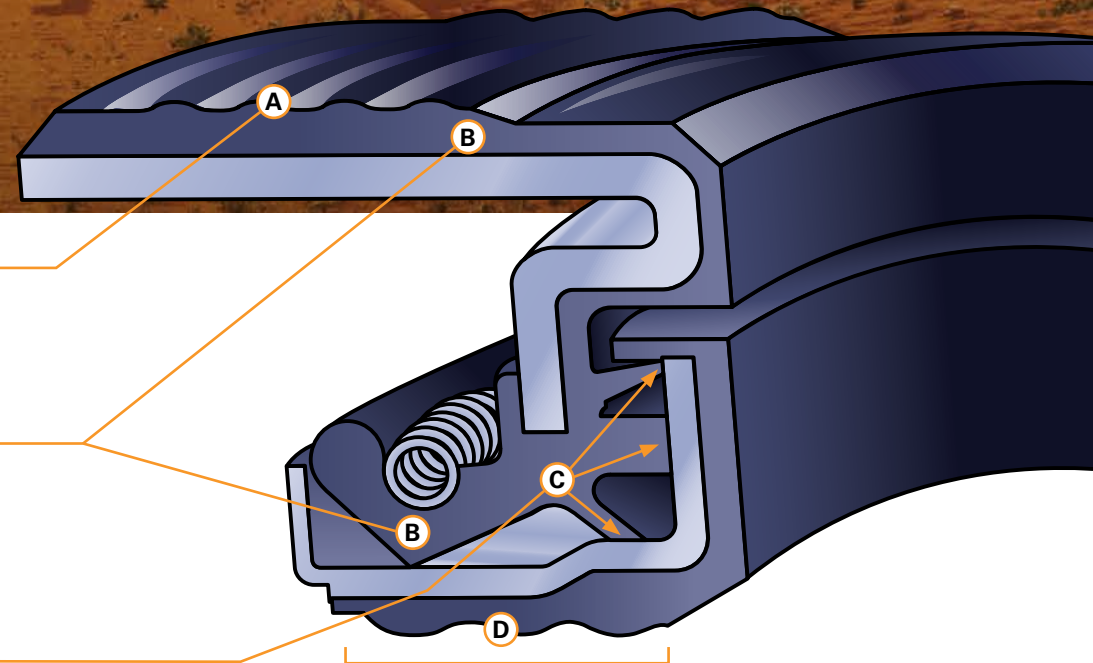
**A Simplified Installation:** Installable with any flat tool including your hand, the ribbed rubber OD with piloted installation guide promotes accurate and square installation to reduce cocked seals.

**B Extended Seal Life:** Advanced material compositions (HNBR: Hydrogenerated Nitrile Butadiene Rubber) on all sealing lip and outer diameter surfaces promote longer seal life across a broad temperature range (-40°F to 310°F [-40°C to 154°C]), including hot starts and braking.

**C Advanced Protection:** Three additional contaminant exclusion barriers help prevent dirt and other debris from causing premature seal failure.

**D Impressive Sealing:** Wide shoulder coverage provides protection on worn or damaged axle shoulders.

**Stronger Value:** Designed to meet or exceed the features of major industry competitors.



### TIMKEN PREMIUM Series vs Stemco Discover Series

Series Feature:	TIMKEN Premium Series	Stemco Discover Series
Temperature Protection	HNBR Main Lip & OD provide better operating performance in both hotter to 310°F (154°C) and colder to -40°F (-40°C) operating environments.	Co-polymer HNBR & Teflon cold resistance to -60°F (-51°C) and Heat resistance to 350° (177°C) on main lip only. NBR OD & ID -20°F to 225°F (-29°C to 107°C).
Installation Requirements	Designed for Hand Installation. Can be installed with any flat plate tool. Piloted entry.	Similar to Voyager in design. Must be tool installed. Piloted entry.
Lubricant Retention	Excellent static sealing capabilities. Hydrodynamic pumping features tested for wear and fatigue. HNBR provides superior abrasion resistance.	Excellent static sealing capabilities. Hydrodynamic pumping features .
Contaminant Exclusion	4 contaminant exclusion features including Axial & Radial Dirt Lips.	4 contaminant exclusion features including Axial & Radial Dirt Lips.
Thermal Protection (Heat Dissipation)	Larger HNBR OD provides better heat dissipation and cold weather protection to help eliminate spinning.	Smaller NBR OD.

### TIMKEN PREMIUM Series vs National 38000 Series

Series Feature:	TIMKEN Premium Series	National 38000 Series
Temperature Protection	HNBR Main Lip & OD provide better operating performance in both hotter to 310°F (154°C) and colder to -40°F (-40°C) operating environments.	Co-polymer HNBR & Teflon on main lip only. OD & ID are NBR. Higher heat & cold properties in lip only. Cold Resistance to -60°F (-51°C) & Heat resistance to 350° (177°C) on Main Lip only.
Installation Requirements	Designed for Hand Installation. Can be installed with any flat plate tool. Piloted entry.	Must be tool installed.
Lubricant Retention	Excellent static sealing capabilities. Hydrodynamic pumping features tested for wear and fatigue. HNBR provides superior abrasion resistance.	Excellent static sealing capabilities. Hydrodynamic pumping features .
Contaminant Exclusion	4 contaminant exclusion features including Axial & Radial Dirt Lips.	4 contaminant exclusion features including Axial & Radial Dirt Lips.
Thermal Protection (Heat Dissipation)	Larger HNBR OD provides better heat dissipation and cold weather protection to help eliminate spinning.	Smaller NBR OD.

### TIMKEN PREMIUM Series vs SKF Scotseal Plus XL Series

Series Feature:	TIMKEN Premium Series	SKF Scotseal Plus XL Series
Temperature Protection	HNBR Main Lip & OD provide better operating performance in both hotter to 310°F (154°C) and colder to -40°F (-40°C) operating environments.	HNBR Main Lip & OD provide better operating performance in both hotter to 310°F (154°C) and colder to -40°F (-40°C) operating environments.
Installation Requirements	Designed for Hand Installation. Can be installed with any flat plate tool. Piloted entry.	Designed for Hand Installation with thin walled OD.
Lubricant Retention	Excellent static sealing capabilities. Hydrodynamic pumping features tested for wear and fatigue. HNBR provides superior abrasion resistance.	Excellent static sealing capabilities. Hydrodynamic pumping features.
Contaminant Exclusion	4 contaminant exclusion features including Axial & Radial Dirt Lips.	3 contaminant exclusion features including Axial & Radial Dirt Lips.
Thermal Protection (Heat Dissipation)	Larger HNBR OD provides better heat dissipation and cold weather protection to help eliminate spinning.	Smaller NBR OD.

# TIMKEN

The Timken team applies their know-how to improve the reliability and performance of machinery in diverse markets worldwide. The company designs, makes and markets high-performance mechanical components, including bearings, gears, belts, chain and related mechanical power transmission products and services.

**Stronger. By Design.**



Visit [timken.com/techseries](http://timken.com/techseries) to enroll in free technical training.

[www.timken.com/aftermarket](http://www.timken.com/aftermarket)