



TIMKEN

PRECISION CYLINDRICAL ROLLER BEARINGS FOR SCREW DRIVES

Greater Productivity. Stronger Performance.

As a global leader in bearing technology with extensive engineering experience in the machine tool industry, **we understand the value of increasing productivity and performance.**

Greater Productivity and Stronger Performance for Screw Drives

Timken® precision cylindrical roller bearings are engineered to meet the tough demands of rapid acceleration, high speeds and significant stiffness requirements – enabling you to optimize speed, precision and efficiency for ball screw and large gantry machinery.

They feature a unique combination of axial cylindrical rollers and radial needle rollers to help manage loads from multiple directions during high-speed operations.

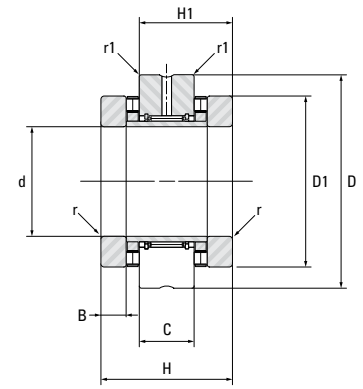
- + Superior running accuracy, lower operating temperature and reduced noise through P4 precision class
- + Greater consistency through superior static and dynamic stiffness
- + Easy bearing selection due to direct competitor interchange
- + Comprehensive offering, including extended shaft and flange mounting designs

Five screw-drive bearing types with a bore size range of: 15mm to 90mm (0.59 in. to 3.54 in.)

- + TARN: Designed for standard screw drives
- + TARN-L: Extended shaft washer for additional sealing
- + TARF-F: Relieved outer ring for additional sealing; flanges designed to accommodate mounting
- + TARF-FL: Extended shaft washer and relieved outer ring for additional sealing; flanges designed to accommodate mounting
- + TARN-T: Flanges designed to accommodate mounting

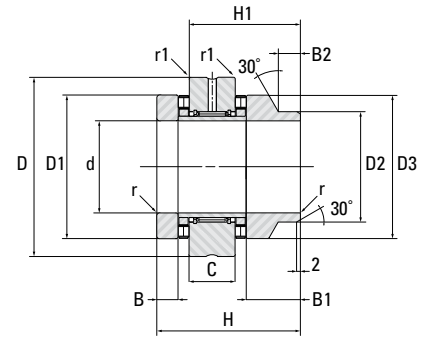


**TARN : Designed for
standard screw drives**



Part Number	d	D	H	H1	C	D1	B	r	r1	Weight	Load Rating According to ISO				Axial Stiffness	Frictional Torque	Max Oil Speed	Max Grease Speed
											Axial		Radial					
											Dynamic	Static	Dynamic	Static				
	mm	mm	mm	mm	mm	mm	mm	mm	mm	kg	kN	kN	kN	kN	kN/μm	Nm	rpm	rpm
TARN1545	15	45	40	28.0	16	35	7.0	0.5	1.0	0.3	25.0	50.2	8.5	11.4	1.3	0.2	8500	2200
TARN2052	20	52	46	31.0	16	42	10.0	0.5	1.0	0.4	32.7	75.9	9.8	14.9	2.0	0.3	7000	2000
TARN2062	20	62	60	40.0	20	52	12.5	0.5	1.0	0.9	58.8	128.8	14.6	22.3	2.2	0.7	6000	1500
TARN2557	25	57	50	35.0	20	47	10.0	0.5	1.0	0.5	34.8	86.0	13.7	24.5	1.3	0.4	6000	1900
TARN2572	25	72	60	40.0	20	62	12.5	0.5	1.0	1.2	74.5	187.4	16.6	28.2	4.7	0.8	4900	1400
TARN3062	30	62	50	35.0	20	52	10.0	0.5	1.0	0.6	35.3	91.3	16.6	28.2	2.4	0.4	5500	1800
TARN3080	30	80	66	43.0	20	68	14.0	0.5	1.0	1.5	90.4	216.2	18.1	32.9	3.1	1.4	4400	1300
TARN3570	35	70	54	37.0	20	60	11.0	0.7	1.0	0.8	50.7	133.0	18.1	32.9	2.8	0.7	4800	1700
TARN3585	35	85	66	43.0	20	73	14.0	0.7	1.0	1.6	98.7	249.4	19.0	36.4	3.6	1.6	4000	1250
TARN4075	40	75	54	37.0	20	65	11.0	0.7	1.0	0.9	55.7	155.2	19.0	36.4	3.3	0.9	4400	1600
TARN4090	40	90	75	50.0	25	78	16.0	0.7	1.0	2.1	101.8	266.1	26.0	56.5	3.8	1.8	3700	1200
TARN4580	45	80	60	42.5	25	70	11.5	0.7	1.0	1.2	56.6	162.6	26.0	56.5	3.5	1.0	4000	1500
TARN45105	45	105	82	53.5	25	90	17.5	0.7	1.0	3.1	151.3	402.6	31.8	66.3	4.7	3.1	3300	1150
TARN5090	50	90	60	42.5	25	78	11.5	0.7	1.0	1.5	84.3	280.9	31.8	66.3	4.4	1.2	3600	1200
TARN50110	50	110	82	53.5	25	95	17.5	0.7	1.0	3.3	163.0	453.0	35.6	64.4	5.3	3.6	3100	1100
TARN55115	55	115	82	53.5	25	100	17.5	0.7	1.0	3.5	160.8	453.0	27.1	57.0	5.2	3.7	2900	1000
TARN60120	60	120	82	53.5	25	105	17.5	1.0	1.0	3.8	171.6	503.3	36.8	86.8	5.8	4.3	2700	950
TARN65125	65	125	82	53.5	25	110	17.5	1.0	1.0	4.0	175.9	528.5	37.7	90.9	6.1	4.6	2600	900
TARN70130	70	130	82	53.5	25	115	17.5	1.0	1.0	4.2	180.1	553.7	39.3	99.2	6.3	5.0	2400	800
TARN75155	75	155	100	65.0	30	135	21.0	1.0	1.5	7.9	257.9	772.4	71.3	135.0	6.7	8.1	2100	700
TARN90180	90	180	110	72.5	35	160	22.5	1.0	1.5	11.8	309.8	984.0	93.8	205.4	8.3	11.3	1800	700

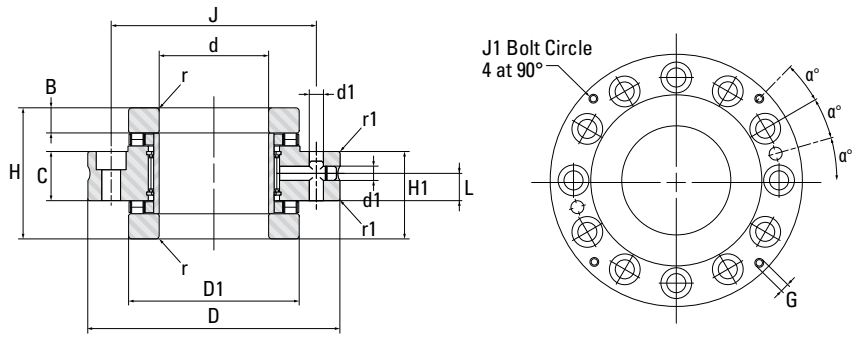
TARN-L : Extended shaft washer for additional sealing



Load Rating According to ISO

Part Number	d	D	H	H1	C	D1	D2	D3	B	B1	B2	r	r1	Weight	Axial		Radial		Axial Stiffness	Frictional Torque	Max Oil Speed	Max Grease Speed
															Dynamic	Static	Dynamic	Static				
	mm	mm	mm	mm	mm	mm	mm	mm	mm	mm	mm	mm	mm	kg	kN	kN	kN	kN	kN/μm	Nm	rpm	rpm
TARN1545L	15	45	53	41.0	16	35	24	34	7.0	20.0	11	0.5	1.0	0.4	25.0	50.2	8.5	11.4	1.3	0.2	8500	2200
TARN2052L	20	52	60	45.0	16	42	30	40	10.0	24.0	11	0.5	1.0	0.5	32.7	75.9	9.8	14.9	2.0	0.3	7000	2000
TARN2062L	20	62	75	55.0	20	52	40	50	12.5	27.5	11	0.5	1.0	1.0	58.8	128.8	14.6	22.3	2.2	0.7	6000	1500
TARN2557L	25	57	65	50.0	20	47	36	45	10.0	25.0	11	0.5	1.0	0.6	34.8	86.0	13.7	24.5	1.3	0.4	6000	1900
TARN2572L	25	72	75	55.0	20	62	48	60	12.5	27.5	11	0.5	1.0	1.3	74.5	187.4	16.6	28.2	4.7	0.8	4900	1400
TARN3062L	30	62	65	50.0	20	52	40	50	10.0	25.0	11	0.5	1.0	0.7	35.3	91.3	16.6	28.2	2.4	0.4	5500	1800
TARN3080L	30	80	82	59.0	20	68	52	66	14.0	30.0	12	0.5	1.0	1.7	90.4	216.2	18.1	32.9	3.1	1.4	4400	1300
TARN3570L	35	70	70	53.0	20	60	45	58	11.0	27.0	12	0.7	1.0	0.9	50.7	133.0	18.1	32.9	2.8	0.7	4800	1700
TARN3585L	35	85	82	59.0	20	73	60	73	14.0	30.0	12	0.7	1.0	1.8	98.7	249.4	19.0	36.4	3.6	1.6	4000	1250
TARN4075L	40	75	70	53.0	20	65	50	63	11.0	27.0	12	0.7	1.0	1.0	55.7	155.2	19.0	36.4	3.3	0.9	4400	1600
TARN4090L	40	90	93	68.0	25	78	60	78	16.0	34.0	12	0.7	1.0	2.4	101.8	266.1	26.0	56.5	3.8	1.8	3700	1200
TARN4580L	45	80	75	57.5	25	70	56	68	11.5	26.5	12	0.7	1.0	1.3	56.6	162.6	26.0	56.5	3.5	1.0	4000	1500
TARN45105L	45	105	103	74.5	25	90	70	88	17.5	38.5	14	0.7	1.0	3.4	151.3	402.6	31.8	66.3	4.7	3.1	3300	1150
TARN5090L	50	90	78	60.5	25	78	60	78	11.5	29.5	12	0.7	1.0	1.8	84.3	280.9	31.8	66.3	4.4	1.2	3600	1200
TARN50110L	50	110	103	74.5	25	95	75	93	17.5	38.5	14	0.7	1.0	3.8	163.0	453.0	35.6	64.4	5.3	3.6	3100	1100
TARN55115L	55	115	103	74.5	25	100	80	98	17.5	38.5	14	0.7	1.0	4.0	160.8	453.0	27.1	57.0	5.2	3.7	2900	1000
TARN60120L	60	120	103	74.5	25	105	90	105	17.5	38.5	16	1.0	1.0	4.9	171.6	503.3	36.8	86.8	5.8	4.3	2700	950
TARN65125L	65	125	103	74.5	25	110	90	108	17.5	38.5	16	1.0	1.0	4.6	175.9	528.5	37.7	90.9	6.1	4.6	2600	900
TARN70130L	70	130	103	74.5	25	115	100	115	17.5	38.5	16	1.0	1.0	4.9	180.1	553.7	39.3	99.2	6.3	5.0	2400	800
TARN75155L	75	155	125	90.0	30	135	115	135	21.0	46.0	16	1.0	1.5	9.1	257.9	772.4	71.3	135.0	6.7	8.1	2100	700
TARN90180L	90	180	135	97.5	35	160	130	158	22.5	47.5	16	1.0	1.5	13.2	309.8	984.0	93.8	205.4	8.3	11.3	1800	700

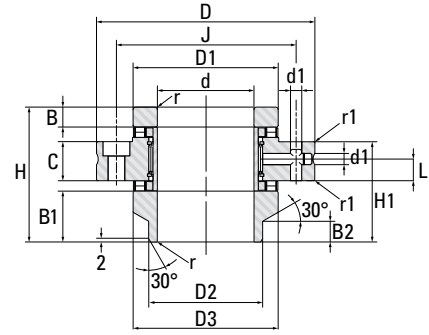
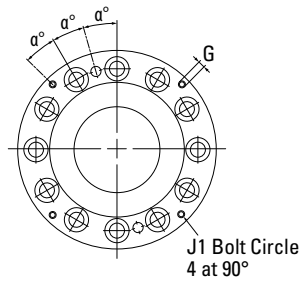
**TARF-F : Relieved outer ring
for additional sealing; flanges
designed to accommodate
mounting**



Load Rating According to ISO

Part Number	d	D	H	H1	C	L	D1	B	r	r1	d1	J	Thread Size	No. Holes	Weight	J1	G	α	Axial		Radial		Axial Stiffness	Frictional Torque	Max Oil Speed	Max Grease Speed
																			Dynamic	Static	Dynamic	Static				
	mm	mm	mm	mm	mm	mm	mm	mm	mm	mm	mm	mm			kg	mm		deg	kN	kN	kN	kN	kN/μm	Nm	rpm	rpm
TARF1560F	15	60	40	26.0	14.0	8.0	35	7.0	0.5	1.0	3.2	46	M6	6	0.4	52.4	M3	20.0	25.0	50.2	8.5	11.4	1.3	0.2	8500	2200
TARF2068F	20	68	46	29.0	14.0	8.0	42	10.0	0.5	1.0	3.2	53	M6	8	0.6	60.4	M3	22.5	32.7	75.9	9.8	14.9	2.0	0.3	7000	2000
TARF2080F	20	80	60	38.0	18.0	10.0	52	12.5	0.5	1.0	3.2	63	M6	12	1.1	73.4	M3	15.0	58.8	128.8	14.6	22.3	2.2	0.7	6000	1500
TARF2575F	25	75	50	33.0	18.0	10.0	47	10.0	0.5	1.0	3.2	58	M6	8	0.8	67.4	M3	22.5	34.8	86.0	13.7	24.5	1.3	0.4	6000	1900
TARF2590F	25	90	60	38.0	18.0	10.0	62	12.5	0.5	1.0	3.2	73	M6	12	1.6	81.0	M3	15.0	74.5	187.4	16.6	28.2	4.7	0.8	4900	1400
TARF3080F	30	80	50	33.0	18.0	10.0	52	10.0	0.5	1.0	3.2	63	M6	12	0.8	73.4	M3	15.0	35.3	91.3	16.6	28.2	2.4	0.4	5500	1800
TARF30105F	30	105	66	41.0	18.0	10.0	68	14.0	0.5	1.0	3.2	85	M8	12	2.0	95.0	M4	15.0	90.4	216.2	18.1	32.9	3.1	1.4	4400	1300
TARF3590F	35	90	54	35.0	18.0	10.0	60	11.0	0.7	1.0	3.2	73	M6	12	1.1	80.0	M4	15.0	50.7	133.0	18.1	32.9	2.8	0.7	4800	1700
TARF35110F	35	110	66	41.0	18.0	10.0	73	14.0	0.7	1.0	3.2	88	M8	12	1.6	101.0	M3	15.0	98.7	249.4	19.0	36.4	3.6	1.6	4000	1250
TARF40100F	40	100	54	35.0	18.0	10.0	65	11.0	0.7	1.0	3.2	80	M8	8	1.3	90.0	M4	22.5	55.7	155.2	19.0	36.4	3.3	0.9	4400	1600
TARF40115F	40	115	75	47.5	22.5	12.5	78	16.0	0.7	1.0	6.0	94	M8	12	2.7	106.0	M3	15.0	101.8	266.1	26.0	56.5	3.8	1.8	3700	1200
TARF45105F	45	105	60	40.0	22.5	12.5	70	11.5	0.7	1.0	6.0	85	M8	8	1.8	95.0	M4	22.5	56.6	162.6	26.0	56.5	3.5	1.0	4000	1500
TARF45130F	45	130	82	51.0	22.5	12.5	90	17.5	0.7	1.0	6.0	105	M8	12	3.7	120.0	M4	15.0	151.3	402.6	31.8	66.3	4.7	3.1	3300	1150
TARF50115F	50	115	60	40.0	22.5	12.5	78	11.5	0.7	1.0	6.0	94	M8	12	2.1	106.0	M3	15.0	84.3	280.9	31.8	66.3	4.4	1.2	3600	1200
TARF50140F	50	140	82	51.0	22.5	12.5	95	17.5	0.7	1.0	6.0	113	M10	12	4.2	127.5	M5	15.0	163.0	453.0	35.6	64.4	5.3	3.6	3100	1100
TARF55145F	55	145	82	51.0	22.5	12.5	100	17.5	0.7	1.0	6.0	118	M10	12	4.5	132.5	M5	15.0	160.8	453.0	27.1	57.0	5.2	3.7	2900	1000
TARF60150F	60	150	82	51.0	22.5	12.5	105	17.5	1.0	1.0	6.0	123	M10	12	4.6	137.5	M5	15.0	171.6	503.3	36.8	86.8	5.8	4.3	2700	950
TARF65155F	65	155	82	51.0	22.5	12.5	110	17.5	1.0	1.0	6.0	128	M10	12	5.1	142.5	M5	15.0	175.9	528.5	37.7	90.9	6.1	4.6	2600	900
TARF70160F	70	160	82	51.0	22.5	12.5	115	17.5	1.0	1.0	6.0	133	M10	12	5.2	147.5	M5	15.0	180.1	553.7	39.3	99.2	6.3	5.0	2400	800
TARF75185F	75	185	100	62.0	27.0	15.0	135	21.0	1.0	1.5	6.0	155	M12	12	8.8	172.5	M5	15.0	257.9	772.4	71.3	135.0	6.7	8.1	2100	700
TARF90210F	90	210	110	69.5	32.0	17.5	160	22.5	1.0	1.5	8.0	180	M12	16	13.7	194.0	M5	11.3	309.8	984.0	93.8	205.4	8.3	11.3	1800	700

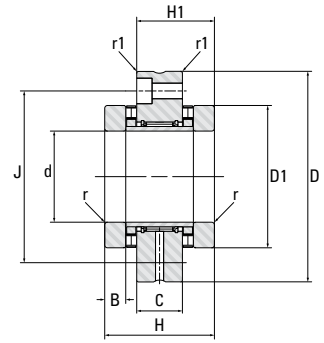
TARF-FL : Extended shaft washer and relieved outer ring for additional sealing; flanges designed to accommodate mounting



Load Rating According to ISO


Part Number	d	D	H	H1	C	L	D1	D2	D3	B	B1	B2	r	r1	d1	J	Thread Size	No. Holes	Weight	J1	G	α	Axial		Radial		Axial Stiffness	Frictional Torque	Max Oil Speed	Max Grease Speed
																							Dynamic	Static	Dynamic	Static				
	mm	mm	mm	mm	mm	mm	mm	mm	mm	mm	mm	mm	mm	mm	mm	mm			kg	mm	deg	kN	kN	kN	kN	kN/μm	Nm	rpm	rpm	
TARF1560FL	15	60	53	39.0	14.0	8.0	35	24	34	7.0	20.0	11	0.5	1.0	3.2	46	M6	6	0.5	52.4	M3	20.0	25.0	50.2	8.5	11.4	1.3	0.2	8500	2200
TARF2068FL	20	68	60	43.0	14.0	8.0	42	30	40	10.0	24.0	11	0.5	1.0	3.2	53	M6	8	0.6	60.4	M3	22.5	32.7	75.9	9.8	14.9	2.0	0.3	7000	2000
TARF2080FL	20	80	75	53.0	18.0	10.0	52	40	50	12.5	27.5	11	0.5	1.0	3.2	63	M6	12	1.2	73.4	M3	15.0	58.8	128.8	14.6	22.3	2.2	0.7	6000	1500
TARF2575FL	25	75	65	48.0	18.0	10.0	47	36	45	10.0	25.0	11	0.5	1.0	3.2	58	M6	8	0.9	67.4	M3	22.5	34.8	86.0	13.7	24.5	1.3	0.4	6000	1900
TARF2590FL	25	90	75	53.0	18.0	10.0	62	48	60	12.5	27.5	11	0.5	1.0	3.2	73	M6	12	1.8	81.0	M3	15.0	74.5	187.4	16.6	28.2	4.7	0.8	4900	1400
TARF3080FL	30	80	65	48.0	18.0	10.0	52	40	50	10.0	25.0	11	0.5	1.0	3.2	63	M6	12	0.9	73.4	M3	15.0	35.3	91.3	16.6	28.2	2.4	0.4	5500	1800
TARF30105FL	30	105	82	57.0	18.0	10.0	68	52	66	14.0	30.0	12	0.5	1.0	3.2	85	M8	12	2.2	95.0	M4	15.0	90.4	216.2	18.1	32.9	3.1	1.4	4400	1300
TARF3590FL	35	90	70	51.0	18.0	10.0	60	45	58	11.0	27.0	12	0.7	1.0	3.2	73	M6	12	1.3	80.0	M4	15.0	50.7	133.0	18.1	32.9	2.8	0.7	4800	1700
TARF35110FL	35	110	82	57.0	18.0	10.0	73	60	73	14.0	30.0	12	0.7	1.0	3.2	88	M8	12	2.3	101.0	M3	15.0	98.7	249.4	19.0	36.4	3.6	1.6	4000	1250
TARF40100FL	40	100	70	51.0	18.0	10.0	65	50	63	11.0	27.0	12	0.7	1.0	3.2	80	M8	8	1.4	90.0	M4	22.5	55.7	155.2	19.0	36.4	3.3	0.9	4400	1600
TARF40115FL	40	115	93	65.5	22.5	12.5	78	60	78	16.0	34.0	12	0.7	1.0	6.0	94	M8	12	3.0	106.0	M3	15.0	101.8	266.1	26.0	56.5	3.8	1.8	3700	1200
TARF45105FL	45	105	75	55.0	22.5	12.5	70	56	68	11.5	26.5	12	0.7	1.0	6.0	85	M8	8	1.8	95.0	M4	22.5	56.6	162.6	26.0	56.5	3.5	1.0	4000	1500
TARF45130FL	45	130	103	72.0	22.5	12.5	90	70	88	17.5	38.5	14	0.7	1.0	6.0	105	M8	12	4.1	120.0	M4	15.0	151.3	402.6	31.8	66.3	4.7	3.1	3300	1150
TARF50115FL	50	115	78	58.0	22.5	12.5	78	60	78	11.5	29.5	12	0.7	1.0	6.0	94	M8	12	2.5	106.0	M3	15.0	84.3	280.9	31.8	66.3	4.4	1.2	3600	1200
TARF50140FL	50	140	103	72.0	22.5	12.5	95	75	93	17.5	38.5	14	0.7	1.0	6.0	113	M10	12	4.5	127.5	M5	15.0	163.0	453.0	35.6	64.4	5.3	3.6	3100	1100
TARF55145FL	55	145	103	72.0	22.5	12.5	100	80	98	17.5	38.5	14	0.7	1.0	6.0	118	M10	12	5.0	132.5	M5	15.0	160.8	453.0	27.1	57.0	5.2	3.7	2900	1000
TARF60150FL	60	150	103	72.0	22.5	12.5	105	90	105	17.5	38.5	16	1.0	1.0	6.0	123	M10	12	5.4	137.5	M5	15.0	171.6	503.3	36.8	86.8	5.8	4.3	2700	950
TARF65155FL	65	155	103	72.0	22.5	12.5	110	90	108	17.5	38.5	16	1.0	1.0	6.0	128	M10	12	5.4	142.5	M5	15.0	175.9	528.5	37.7	90.9	6.1	4.6	2600	900
TARF70160FL	70	160	103	72.0	22.5	12.5	115	100	115	17.5	38.5	16	1.0	1.0	6.0	133	M10	12	6.0	147.5	M5	15.0	180.1	553.7	39.3	99.2	6.3	5.0	2400	800
TARF75185FL	75	185	125	87.0	27.0	15.0	135	115	135	21.0	46.0	16	1.0	1.5	6.0	155	M12	12	10.6	172.5	M5	15.0	257.9	772.4	71.3	135.0	6.7	8.1	2100	700
TARF90210FL	90	210	135	94.5	32.0	17.5	160	130	158	22.5	47.5	16	1.0	1.5	8.0	180	M12	16	15.1	194.0	M5	11.3	309.8	984.0	93.8	205.4	8.3	11.3	1800	700

TARN-T : Flanges designed to accommodate mounting



Load Rating According to ISO

Part Number	d	D	H	H1	C	D1	B	r	r1	J	Thread Size	No. Holes	Weight	Axial		Radial		Axial Stiffness	Frictional Torque	Max Oil Speed	Max Grease Speed
														Dynamic	Static	Dynamic	Static				
	mm	mm	mm	mm	mm	mm	mm	mm	mm	mm	mm	mm	kg	kN	kN	kN	kN	kN/μm	Nm	rpm	rpm
TARN1560T	15	60	46	31.0	16	35.0	10.0	0.5	1.0	46	M6	6	0.4	25.0	50.2	8.5	11.4	1.3	0.2	8500	2200
TARN2068T	20	68	46	31.0	16	42.0	10.0	0.5	1.0	53	M6	8	0.6	32.7	75.9	9.8	14.9	2.0	0.3	7000	2000
TARN2080T	20	80	60	40.0	20	52.0	12.5	0.5	1.0	63	M6	12	1.1	58.8	128.8	14.6	22.3	2.2	0.7	6000	1500
TARN2575T	25	75	50	35.0	20	47.0	10.0	0.5	1.0	58	M6	8	0.8	34.8	86.0	13.7	24.5	1.3	0.4	6000	1900
TARN2590T	25	90	60	40.0	20	62.0	12.5	0.5	1.0	73	M6	12	1.4	74.5	187.4	16.6	28.2	4.7	0.8	4900	1400
TARN3080T	30	80	50	35.0	20	53.4	10.0	0.5	1.0	63	M6	12	0.9	35.3	91.3	16.6	28.2	2.4	0.4	5500	1800
TARN30105T	30	105	66	43.0	20	68.0	14.0	0.5	1.0	85	M8	12	1.9	90.4	216.2	18.1	32.9	3.1	1.4	4400	1300
TARN3590T	35	90	54	37.0	20	60.4	11.0	0.7	1.0	73	M6	12	1.1	50.7	133.0	18.1	32.9	2.8	0.7	4800	1700
TARN35110T	35	110	66	43.0	20	73.0	14.0	0.7	1.0	88	M8	12	2.1	98.7	249.4	19.0	36.4	3.6	1.6	4000	1250
TARN40100T	40	100	54	37.0	20	65.4	11.0	0.7	1.0	80	M8	8	1.3	55.7	155.2	19.0	36.4	3.3	0.9	4400	1600
TARN40115T	40	115	75	50.0	25	78.0	16.0	0.7	1.0	94	M8	12	2.8	101.8	266.1	26.0	56.5	3.8	1.8	3700	1200
TARN45105T	45	105	60	42.5	25	70.4	11.5	0.7	1.0	85	M8	8	1.7	56.6	162.6	26.0	56.5	3.5	1.0	4000	1500
TARN45130T	45	130	82	53.5	25	90.0	17.5	0.7	1.0	105	M8	12	3.7	151.3	402.6	31.8	66.3	4.7	3.1	3300	1150
TARN50115T	50	115	60	42.5	25	78.4	11.5	0.7	1.0	94	M8	12	2.0	84.3	280.9	31.8	66.3	4.4	1.2	3600	1200
TARN50140T	50	140	82	53.5	25	95.0	17.5	0.7	1.0	113	M10	12	4.2	163.0	453.0	35.6	64.4	5.3	3.6	3100	1100
TARN55145T	55	145	82	53.5	25	100.0	17.5	0.7	1.0	118	M10	12	4.4	160.8	453.0	27.1	57.0	5.2	3.7	2900	1000
TARN60150T	60	150	82	53.5	25	105.0	17.5	1.0	1.0	123	M10	12	4.6	171.6	503.3	36.8	86.8	5.8	4.3	2700	950
TARN65155T	65	155	82	53.5	25	110.0	17.5	1.0	1.0	128	M10	12	4.9	175.9	528.5	37.7	90.9	6.1	4.6	2600	900
TARB70160T	70	160	82	53.5	25	115.0	17.5	1.0	1.0	133	M10	12	5.1	180.1	553.7	39.3	99.2	6.3	5.0	2400	800
TARN75185T	75	185	100	65.0	30	135.0	21.0	1.0	1.5	155	M12	12	8.9	257.9	772.4	71.3	135.0	6.7	8.1	2100	700
TARN90210T	90	210	110	72.5	35	160.0	22.5	1.0	1.5	180	M12	16	13.2	309.8	984.0	93.8	205.4	8.3	11.3	1800	700



From bearings, seals and lubrication, to reliability, engineering and maintenance support, our strong portfolio of friction management solutions is designed to help keep your equipment performing more reliably and efficiently.

Contact your Timken sales representative or visit us online at www.timken.com to discover how we can help you increase productivity and performance.

TIMKEN

The Timken team applies their know-how to improve the reliability and performance of machinery in diverse markets worldwide. The company designs, makes and markets high-performance mechanical components, including bearings, gears, belts, chain and related mechanical power transmission products and services.

www.timken.com

Stronger. **Commitment.** Stronger. **Value.** Stronger. **Worldwide.** Stronger. **Together.** | Stronger. **By Design.**

5M 3-16: 29 Order No. 10360 | Timken® is a registered trademark of The Timken Company. | © 2016 The Timken Company | Printed in U.S.A.