

TIMKEN

STEEL HOUSING. BETTER SEALING. LONGER LIFE.

TIMKEN® SELF-ALIGNING TAPERED ROLLER BEARING HOUSED UNITS

Timken® Self-Aligning Tapered Roller Bearing Housed Units are designed for applications from aggregate and steel to mining and power generation. The heavy duty housing and cartridge are made from cast steel to stand up to the harshest conditions, and are designed to accept +/-4 degrees of misalignment.

The tapered roller bearing yields a design life that is 47% higher than current industry leading competitor. Timken high-performance seals are seven times more effective against water ingress.

Available in two-bolt pillow block sizes 1 ³/₁₆ - 3 ¹/₂ in. (35-90 mm), and in four-bolt pillow block sizes 2 ¹/₄ - 5 in (60-125 mm).



BETTER FROM THE INSIDE OUT

- 47%–113% longer life with optimized Timken tapered roller bearings versus competition
- Lower bearing operating temperatures
- Improved lube film thickness
- Reduced internal stresses
- Optimized bearing profiles and improved surface finishes
- Cast steel housings accept secondary sealing covers



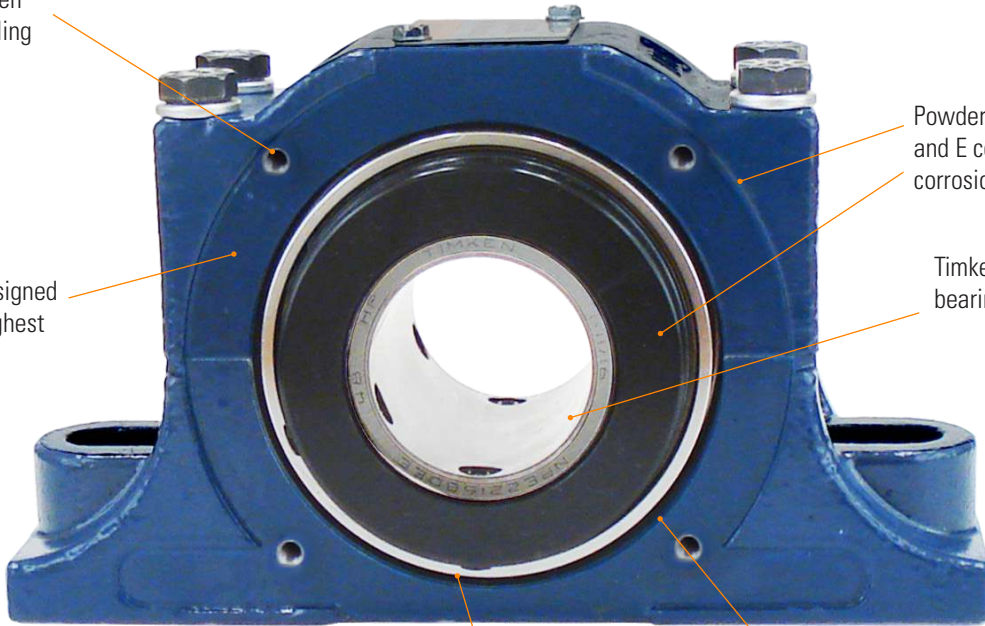
SELF-ALIGNING TAPERED ROLLER BEARING HOUSED UNITS

All units machined to accept Timken secondary sealing covers.

Powder coated housings and E coated collars for corrosion protection

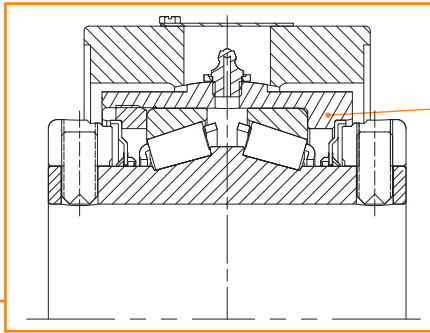
Steel housing designed to withstand toughest applications

Timken tapered roller bearing

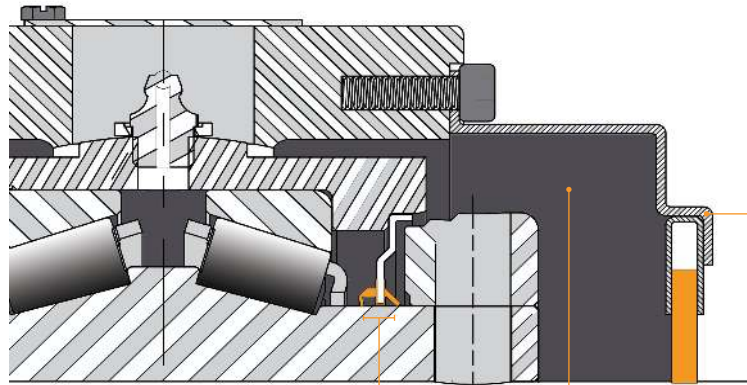


Steel cartridge accepts +/- 4 degrees of misalignment

Timken high performance seal



**UNRIVALED
MULTI-POINT
SEALING SYSTEM**



Upgraded triple-barrier internal bearing seal

- Two contact lips and one rigid middle labyrinth section to help retain grease and reduce contamination ingress
- New enhanced seal material to provide greater performance with 2X more abrasion resistance than the industry standard nitrile seal

Full grease pack in cover (all covers have grease zerks)

Single lip Teflon through Shaft Seal

External through shaft cover (steel)

3

1

1

1

Self-Aligning Tapered Roller Bearing Housed Unit Interchange

TIMKEN

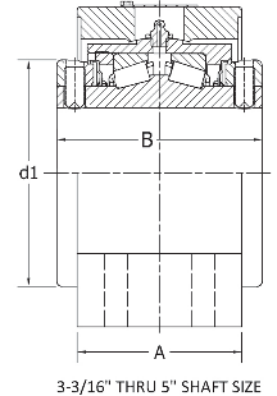
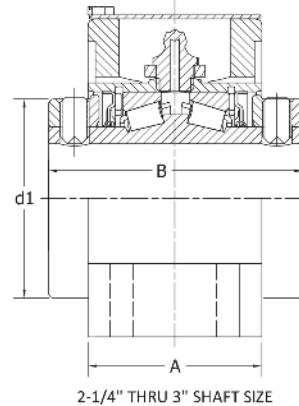
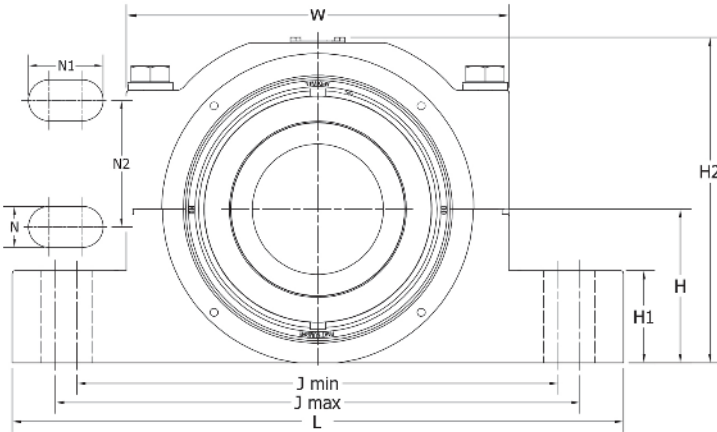


Dodge Part Number*		SealMaster Part Number*		TIMKEN		
Assembled Unit	Assembled Unit	Assembled Unit Single Collar	Cast Steel Housings	Assembled Unit*	Optional Secondary Sealing Covers - OPEN	Optional Secondary Sealing Covers - CLOSED
P2B-EXL-103-R	RPB-103-2			ESA-P2B-TRB-1 3/16	ESAST-1 3/16	ESASC-A
P2B-EXL-104-R	RPB-104-2			ESA-P2B-TRB-1 1/4	ESAST-1 1/4	ESASC-A
P2B-EXL-106-R	RPB-106-2			ESA-P2B-TRB-1 3/8	ESAST-1 3/8	ESASC-B
P2B-EXL-107-R	RPB-107-2			ESA-P2B-TRB-1 7/16	ESAST-1 7/16	ESASC-B
P2B-EXL-108-R	RPB-108-2		SPB-108-2	ESA-P2B-TRB-1 1/2	ESAST-1 1/2	ESASC-C
P2B-EXL-110-R	RPB-110-2		SPB-110-2	ESA-P2B-TRB-1 5/8	ESAST-1 5/8	ESASC-C
P2B-EXL-111-R	RPB-111-2		SPB-111-2	ESA-P2B-TRB-1 11/16	ESAST-1 11/16	ESASC-C
P2B-EXL-112-R	RPB-112-2	RPBA-112-2	SPB-112-2	ESA-P2B-TRB-1 3/4	ESAST-1 3/4	ESASC-D
P2B-EXL-114-R	RPB-114-2	RPBA-114-2	SPB-114-2	ESA-P2B-TRB-1 7/8	ESAST-1 7/8	ESASC-D
P2B-EXL-115-R	RPB-115-2	RPBA-115-2	SPB-115-2	ESA-P2B-TRB-1 15/16	ESAST-1 15/16	ESASC-D
P2B-EXL-200-R	RPB-200-2	RPBA-200-2	SPB-200-2	ESA-P2B-TRB-2	ESAST-2	ESASC-D
P2B-EXL-203-R	RPB-203-2	RPBA-203-2	SPB-203-2	ESA-P2B-TRB-2 3/16	ESAST-2 3/16	ESASC-E
P2B-EXL-204-R	RPB-204-2	RPBA-204-2	SPB-204-2	ESA-P2B-TRB-2 1/4	ESAST-2 1/4	ESASC-F
P2B-EXL-207-R	RPB-207-2	RPBA-207-2	SPB-207-2	ESA-P2B-TRB-2 7/16	ESAST-2 7/16	ESASC-F
P2B-EXL-208-R	RPB-208-2	RPBA-208-2	SPB-208-2	ESA-P2B-TRB-2 1/2	ESAST-2 1/2	ESASC-F
P2B-EXL-211-R	RPB-211-2	RPBA-211-2	SPB-211-2	ESA-P2B-TRB-2 11/16	ESAST-2 11/16	ESASC-G
P2B-EXL-212-R	RPB-212-2	RPBA-212-2	SPB-212-2	ESA-P2B-TRB-2 3/4	ESAST-2 3/4	ESASC-G
P2B-EXL-215-R	RPB-215-2	RPBA-215-2	SPB-215-2	ESA-P2B-TRB-2 15/16	ESAST-2 15/16	ESASC-G
P2B-EXL-300-R	RPB-300-2	RPBA-300-2	SPB-300-2	ESA-P2B-TRB-3	ESAST-3	ESASC-G
P2B-EXL-303-R	RPB-303-2	RPBA-303-2	SPB-303-2	ESA-P2B-TRB-3 3/16	ESAST-3 3/16	ESASC-H
P2B-EXL-304-R	RPB-304-2	RPBA-304-2	SPB-304-2	ESA-P2B-TRB-3 1/4	ESAST-3 1/4	ESASC-H
P2B-EXL-307-R	RPB-307-2	RPBA-307-2	SPB-307-2	ESA-P2B-TRB-3 7/16	ESAST-3 7/16	ESASC-H
P2B-EXL-308-R	RPB-308-2	RPBA-308-2	SPB-308-2	ESA-P2B-TRB-3 1/2	ESAST-3 1/2	ESASC-H
P4B-EXL-204-R	RPB-204-4	RPBA-204-4		ESA-P4B-TRB-2 1/4	ESAST-2 1/4	ESASC-F
P4B-EXL-207-R	RPB-207-4	RPBA-207-4		ESA-P4B-TRB-2 7/16	ESAST-2 7/16	ESASC-F
P4B-EXL-208-R	RPB-208-4	RPBA-208-4		ESA-P4B-TRB-2 1/2	ESAST-2 1/2	ESASC-F
P4B-EXL-211-R	RPB-211-4	RPBA-211-4		ESA-P4B-TRB-2 11/16	ESAST-2 11/16	ESASC-G
P4B-EXL-212-R	RPB-212-4	RPBA-212-4		ESA-P4B-TRB-2 3/4	ESAST-2 3/4	ESASC-G
P4B-EXL-215-R	RPB-215-4	RPBA-215-4		ESA-P4B-TRB-2 15/16	ESAST-2 15/16	ESASC-G
P4B-EXL-300-R	RPB-300-4	RPBA-300-4		ESA-P4B-TRB-3	ESAST-3	ESASC-G
P4B-EXL-303-R	RPB-303-4	RPBA-303-4		ESA-P4B-TRB-3 3/16	ESAST-3 3/16	ESASC-H
P4B-EXL-304-R	RPB-304-4	RPBA-304-4		ESA-P4B-TRB-3 1/4	ESAST-3 1/4	ESASC-H
P4B-EXL-307-R	RPB-307-4	RPBA-307-4		ESA-P4B-TRB-3 7/16	ESAST-3 7/16	ESASC-H
P4B-EXL-308-R	RPB-308-4	RPBA-308-4		ESA-P4B-TRB-3 1/2	ESAST-3 1/2	ESASC-H
P4B-EXL-315-R	RPB-315-4	RPBA-315-4	SPB-315-4	ESA-P4B-TRB-3 15/16	ESAST-3 15/16	ESASC-I
P4B-EXL-400-R	RPB-400-4		SPB-400-4	ESA-P4B-TRB-4	ESAST-4	ESASC-I
P4B-EXL-407-R	RPB-407-4		SPB-407-4	ESA-P4B-TRB-4 7/16	ESAST-4 7/16	ESASC-J
P4B-EXL-408-R	RPB-408-4		SPB-408-4	ESA-P4B-TRB-4 1/2	ESAST-4 1/2	ESASC-J
P4B-EXL-415-R	RPB-415-4		SPB-415-4	ESA-P4B-TRB-4 15/16	ESAST-4 15/16	ESASC-K
P4B-EXL-500-R	RPB-500-4		SPB-500-4	ESA-P4B-TRB-5	ESAST-5	ESASC-K

*Available in expansion and non-expansion type bearings

Note: SealMaster single collar has shorter length thru-bore than the Timken double collar.

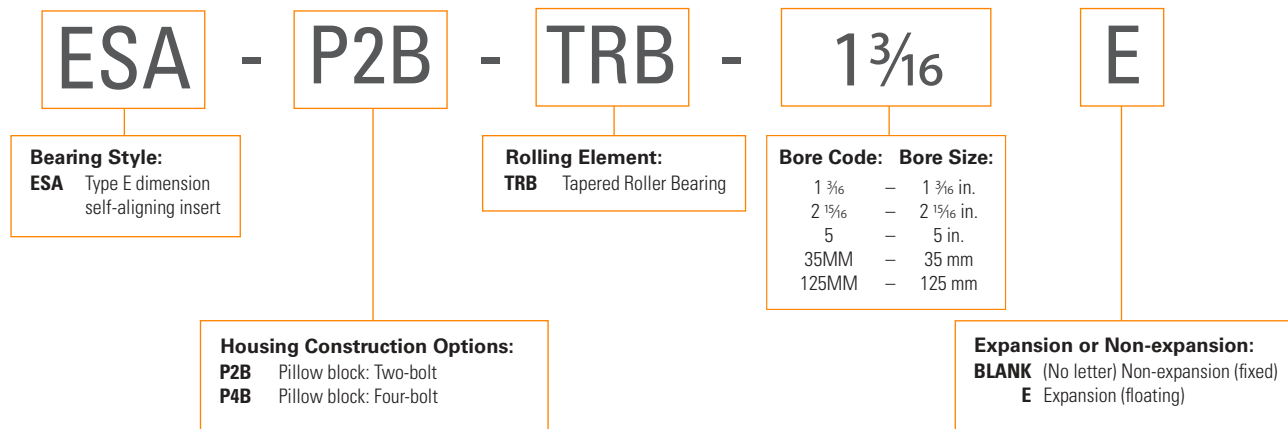
PILLOW BLOCK: FOUR-BOLT



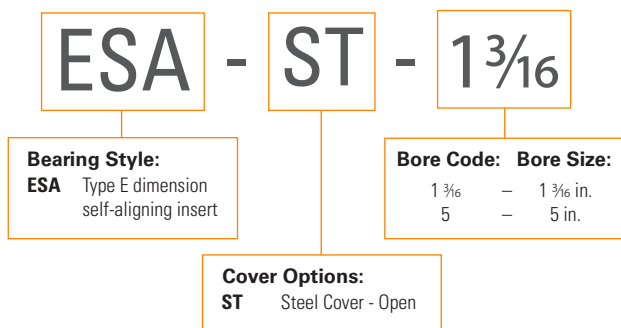
Shaft Dia.	Part No. Non-Expansion	Part No. Expansion	B	L	A	J min.	J max.	Bolt Dia	N	N1	N2	H1	H2	d1	H	W	Expansion	Approx. Wt.			
mm in.			mm in.	mm in.	mm in.	mm in.	mm in.	mm in.	mm in.	mm in.	mm in.	mm in.	mm in.	mm in.	mm in.	mm in.	mm in.	kg lbs.			
2 1/4	ESA-P4B-TRB-2 1/4	ESA-P4B-TRB-2 1/4 E	101.6 4	263.5 10 3/8	88.9 3 1/2	196.9 7 3/4	222.3 8 3/4	M16 5/8	19.1 3/4	31.8 1 1/4	47.8 1 7/8	41.4 1 5/8	154.0 6 1/16	103.2 4 1/16	69.9 2 3/4	162.7 6 13/32	14.3 5/16	14.6 32.1			
2 7/16	ESA-P4B-TRB-2 7/16	ESA-P4B-TRB-2 7/16 E																			
2 1/2	ESA-P4B-TRB-2 1/2	ESA-P4B-TRB-2 1/2 E																			
60 mm	ESA-P4B-TRB-60MM	ESA-P4B-TRB-60MME																			
65 mm	ESA-P4B-TRB-65MM	ESA-P4B-TRB-65MME	114.3 4 1/2	298.5 11 3/4	95.3 3 3/4	222.3 8 3/4	254.0 10	M16 5/8	19.3 3/4	35.1 1 3/8	53.8 2 1/8	47.8 1 7/8	171.5 6 3/4	119.9 4 23/32	79.5 3 1/8	190.5 7 1/2	14.3 5/16	19.9 43.8			
2 11/16	ESA-P4B-TRB-2 11/16	ESA-P4B-TRB-2 11/16 E																			
2 3/4	ESA-P4B-TRB-2 3/4	ESA-P4B-TRB-2 3/4 E																			
2 15/16	ESA-P4B-TRB-2 15/16	ESA-P4B-TRB-2 15/16 E																			
3	ESA-P4B-TRB-3	ESA-P4B-TRB-3 E	70 mm	ESA-P4B-TRB-70MM	ESA-P4B-TRB-70MME	127.0 5	349.3 13 3/4	114.3 4 1/2	268.3 10 9/16	298.5 11 3/4	M20 3/4	22.2 7/8	37.3 1 15/32	60.5 2 3/8	57.2 2 1/4	201.6 7 15/16	140.5 5 17/32	95.3 3 3/4	236.5 9 5/16	14.3 5/16	34.3 75.5
3 1/16	ESA-P4B-TRB-3 1/16	ESA-P4B-TRB-3 1/16 E																			
3 1/4	ESA-P4B-TRB-3 1/4	ESA-P4B-TRB-3 1/4 E																			
3 7/16	ESA-P4B-TRB-3 7/16	ESA-P4B-TRB-3 7/16 E																			
3 1/2	ESA-P4B-TRB-3 1/2	ESA-P4B-TRB-3 1/2 E	80 mm	ESA-P4B-TRB-80MM	ESA-P4B-TRB-80MME	158.8 6 1/4	387.4 15 1/4	120.7 4 3/4	279.4 11	330.2 13	M20 3/4	22.4 7/8	47.8 1 7/8	57.2 2 1/4	61.9 2 7/16	223.0 8 25/32	154.0 6 1/16	108.0 4 1/4	256.4 10 3/32	14.3 5/16	48.0 105.7
3 5/8	ESA-P4B-TRB-3 5/8	ESA-P4B-TRB-3 5/8 E																			
4	ESA-P4B-TRB-4	ESA-P4B-TRB-4E																			
100 mm	ESA-P4B-TRB-100MM	ESA-P4B-TRB-100MME																			
4 7/16	ESA-P4B-TRB-4 7/16	ESA-P4B-TRB-4 7/16 E	171.5 6 3/4	419.1 16 1/2	129.4 5 3/32	298.5 11 3/4	352.6 13 7/8	M20 3/4	22.4 7/8	49.2 1 15/16	63.5 2 1/2	69.9 2 3/4	247.7 9 3/4	171.1 6 47/64	120.7 4 3/4	281.8 11 3/32	14.3 5/16	59.2 130.4			
4 1/2	ESA-P4B-TRB-4 1/2	ESA-P4B-TRB-4 1/2 E																			
110 mm	ESA-P4B-TRB-110MM	ESA-P4B-TRB-110MME																			
115 mm	ESA-P4B-TRB-115MM	ESA-P4B-TRB-115MME																			
4 15/16	ESA-P4B-TRB-4 15/16	ESA-P4B-TRB-4 15/16 E	184.2 7 1/4	469.9 18 1/2	143.7 5 21/32	342.9 13 1/2	403.4 15 7/8	M24 7/8	26.2 1 1/32	56.4 2 7/32	73.2 2 7/8	76.2 3	288.1 11 11/32	196.9 7 3/4	139.7 5 1/2	323.1 12 23/32	14.3 5/16	86.0 189.5			
5	ESA-P4B-TRB-5	ESA-P4B-TRB-5 E																			
125 mm	ESA-P4B-TRB-125MM	ESA-P4B-TRB-125MME																			



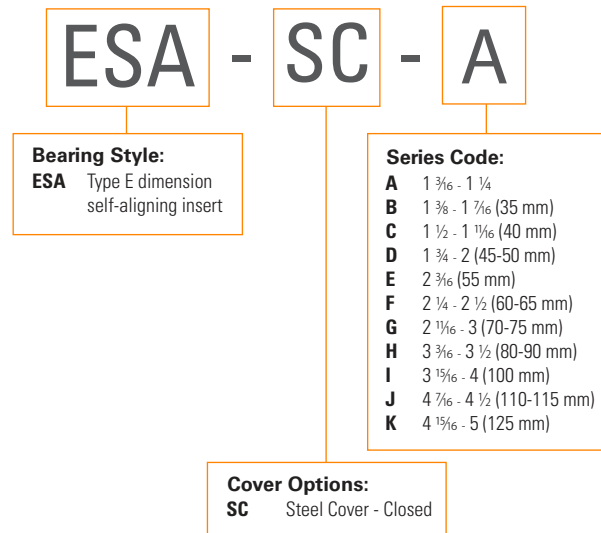
SELF-ALIGNING TAPERED ROLLER BEARING HOUSED UNITS NOMENCLATURE



Open End Cover Nomenclature



Closed End Cover Nomenclature



TIMKEN

The Timken team applies their know-how to improve the reliability and performance of machinery in diverse markets worldwide. The company designs, makes and markets bearings, gear drives, automated lubrication systems, belts, brakes, clutches, chain, couplings, linear motion products and related power transmission rebuild and repair services.

Stronger. By Design.

www.timken.com

05-19 Order No. 11266 | Timken® is a registered trademark of The Timken Company. | ©2019 The Timken Company | Printed in U.S.A. | All other trademarks are the property of their respective owners.