

TIMKEN



IMPROVE FOOD SAFETY ON THE PROCESS FLOOR

TIMKEN® QUIKLEAN® MOUNTED BEARINGS AVAILABLE IN CAST STAINLESS OR POLYMER FOR A CLEANER ALTERNATIVE TO STANDARD MOUNTED BEARINGS

Timken® QuiKlean® Mounted Bearings are now available in both stainless and polymer for more production options. Designed to replace standard 2-bolt, 3-bolt and 4-bolt flange housings, with an integrated stand-off base that simplifies the cleaning process, improves sanitation and limits contact area where bacteria can hide. Accepts open or closed caps.

Timken QuiKlean housings' ½ in. stand-off base for cast stainless and blue optically detectable thermoset allows for wash-down on all sides-ideal for food processing environments where cleanliness is paramount.

TIMKEN QUIKLEAN MOUNTED BEARINGS

- 1-piece, cast stainless or polymer construction
- Eliminates the need for spacers
- Smoother surfaces, fewer crevices, easy to clean
- Integrated stand-off allows access for cleaning on all sides
- Reduces downtime from sanitary violations
- No small components to handle or misplace



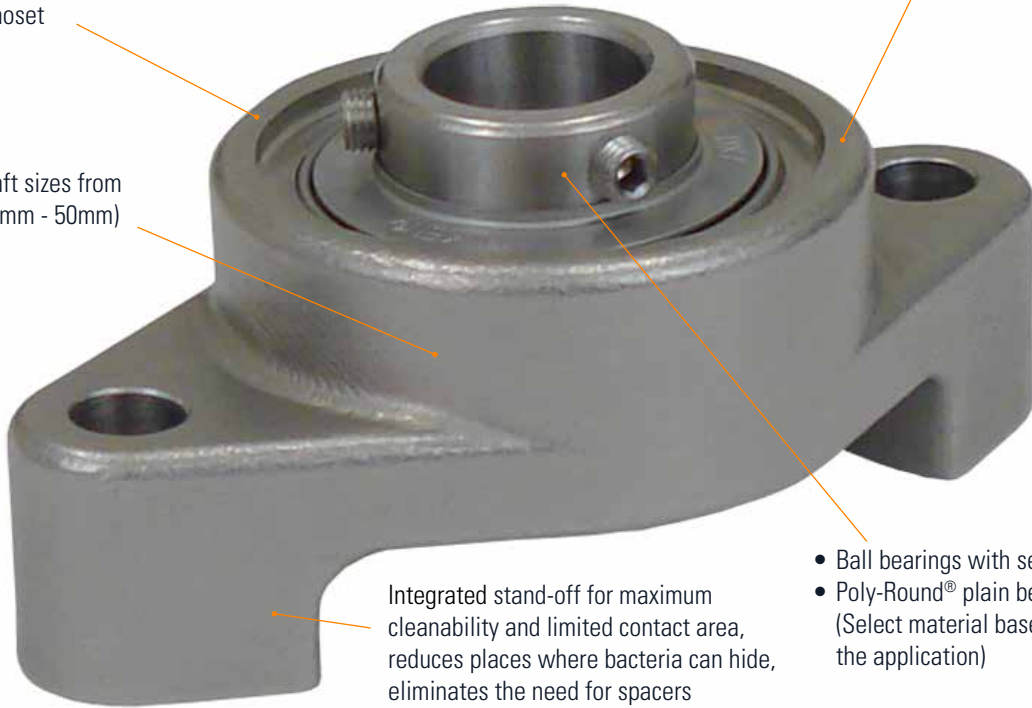
TIMKEN QUIKLEAN MOUNTED BEARINGS STAND ABOVE OTHER FOOD INDUSTRY BEARINGS

Housings available in:

- Cast stainless steel
- Blue thermoset

1-piece housing construction

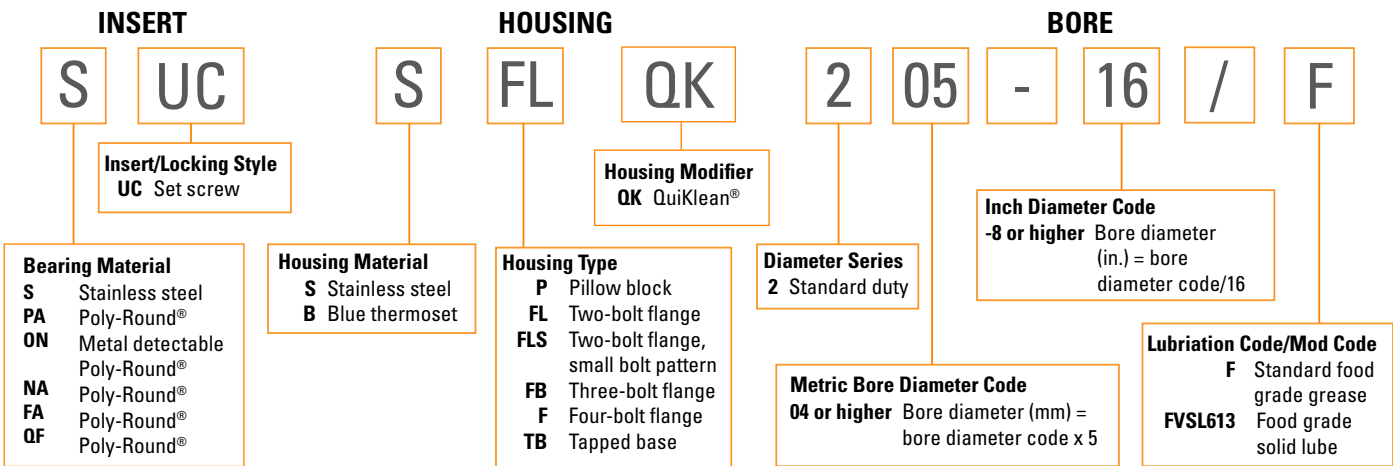
Available in shaft sizes from
3/4 in. – 2 in. (20mm - 50mm)
(204-210 ring)



Integrated stand-off for maximum cleanability and limited contact area, reduces places where bacteria can hide, eliminates the need for spacers

- Ball bearings with set screw lock
- Poly-Round® plain bearings (Select material based on the application)

TIMKEN QUIKLEAN® MOUNTED BEARINGS NOMENCLATURE



TIMKEN

The Timken team applies their know-how to improve the reliability and performance of machinery in diverse markets worldwide. The company designs, makes and markets bearings, gear drives, automated lubrication systems, belts, brakes, clutches, chain, couplings, linear motion products and related power transmission rebuild and repair services.

Stronger. By Design.

CALL ON TIMKEN

For your nearest Timken sales representative, visit www.timken.com

www.timken.com