



# TIMKEN

# IMPROVE UPTIME

# BETTER BEARINGS, RELIABLE PERFORMANCE

## With HIGH-PERFORMANCE TIMKEN® Bearings for Palm Oil Presses

Environments so hot and humid that any standing product could rot. A nine-month harvest period. High loads, shocks and vibrations that can wreak havoc on the palm oil pressing process. These are your challenges. Trust Timken for your solution.

Help keep your presses operating to full capacity all season long with Timken® high-performance spherical roller thrust bearings and spherical roller bearings.

Gain the reliability, efficiency and performance you need to keep your presses moving in the most unforgiving environments.

With enhanced performance comes improved uptime and profitability.

## EXPERIENCE THE DIFFERENCE

### High Performance

We offer spherical roller thrust bearings and spherical roller bearings in high-performance designs to meet and exceed the challenges of this uptime-critical industry. High performance means that our products have been optimized for longer bearing life and industry-leading load capacities.

### Higher Load Ratings

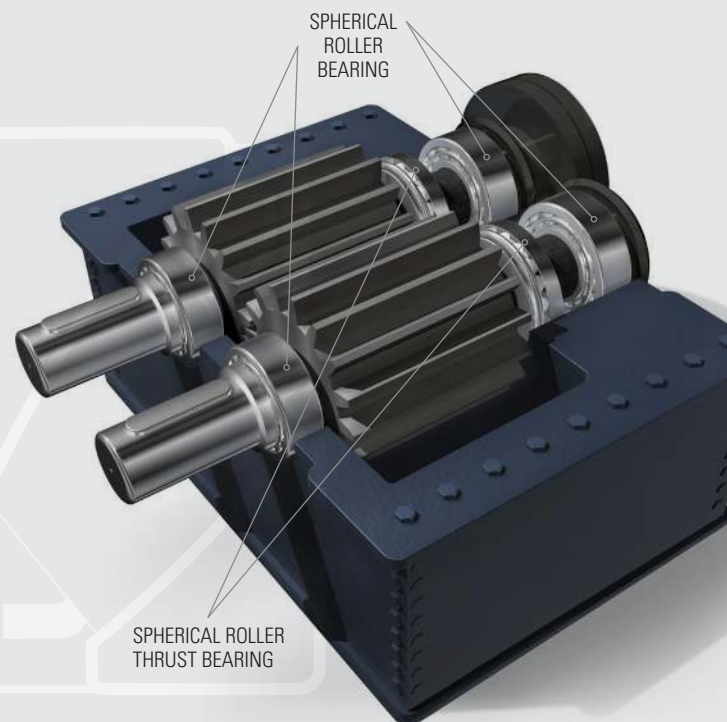
Higher load ratings and speed capabilities contribute to optimal bearing performance. This can lengthen the time between maintenance intervals, keeping your operations running smoother and longer.

### Broad Interchangeability

Timken spherical roller thrust bearings are interchangeable by boundary dimensions with most designs in the market. Our knowledgeable application engineers can help you with your interchange and mounting needs.

### Easy Access

A full line of spherical roller thrust bearings and spherical roller bearings is available from more than 1,500 authorized Timken distributors worldwide. Purchase as a package and maintain one bearing brand per shaft.



The typical bearing arrangement in a power split gearbox used in twin screw presses consists of a spherical roller thrust bearing positioned between two spherical roller bearings.

## HIGH-PERFORMANCE SPHERICAL ROLLER THRUST BEARINGS

Timken high-performance spherical roller thrust bearings provide an optimal balance between load-carrying capacities, misalignment capability of up to 3 degrees and enhanced lubrication flow to reduce friction and operating temperatures.

**Broad range** – Comprehensive product range of spherical roller thrust bearings with steel cage design from 90 mm bore to 340 mm bore

**Series** – 293, 294

### EJ CAGE TYPE

Part Number	Bore	O.D.	Width	Load Rating	
				Static Load Rating	Dynamic Load Rating
	mm	mm	mm	kN	kN
29418EJ	90	190	60	1890	820
29320EJ	100	170	42	1240	462
29420EJ	100	210	67	2390	1020
29322EJ	110	190	48	1660	604
29422EJ	110	230	73	2840	1200
29324EJ	120	210	54	2070	768
29424EJ	120	250	78	3320	1390
29326EJ	130	225	58	2410	852
29426EJ	130	270	85	3870	1600
29328EJ	140	240	60	2710	970
29428EJ	140	280	85	4110	1640
29330EJ	150	250	60	2760	993
29430EJ	150	300	90	4730	1860
29332EJ	160	270	67	3370	1190
29432EJ	160	320	95	5340	2100
29334EJ	170	280	67	3430	1230
29434EJ	170	340	103	6140	2380
29336EJ	180	300	73	4130	1430
29436EJ	180	360	109	7090	2660
29338EJ	190	320	78	4550	1620
29438EJ	190	380	115	7910	3040
29340EJ	200	340	85	5370	1880
29440EJ	200	400	122	8470	3210
29344EJ	220	360	85	5840	1950
29444EJ	220	420	122	9090	3350
29348EJ	240	380	85	6280	2040
29448EJ	240	440	122	9520	3410
29352EJ	260	420	95	8100	2580
29452EJ	260	480	132	11900	4160
29356EJ	280	440	95	8500	2580
29456EJ	280	520	145	14300	4920
29360EJ	300	480	109	9900	3150
29460EJ	300	540	145	15000	4990
29364EJ	320	500	109	10700	2830
29368EJ	340	540	122	12000	3120

# TIMKEN

The Timken team applies their know-how to improve the reliability and performance of machinery in diverse markets worldwide. The company designs, makes and markets high-performance mechanical components, including bearings, gears, belts, chain and related mechanical power transmission products and services.

**Stronger. By Design.**

## HIGH-PERFORMANCE SPHERICAL ROLLER BEARINGS

Timken high-performance spherical roller bearings are engineered to offer tougher protection against shock and acceleration, optimize load distribution to minimize wear and extend your equipment uptime with reduced friction and improved lube film.

**Broad range** – One of the broadest size ranges in the industry in both steel cage and brass cage design, from 25 mm bore to 1,250 mm bore

**Series** – 213, 222, 223, 230, 231, 232, 233, 238, 239, 240, 241

### FOR ADDED CONVENIENCE

*Choose Timken® housed units and improve uptime for all the power transmission equipment used in your palm oil processing plant.*

**Revolvo Split Cylindrical Bearing:** Split-to-the-shaft design is ideal for trapped applications in high-service cost locations

**SNT/SAF Split Plummer (Pillow) Blocks:** Large process equipment and heavy material handling where access and contamination present challenges

**Spherical Roller Bearing Solid Block:** Process equipment and bulk material handling where shock loads, heavy contamination and misalignment are issues

**Fafnir® Ball Bearing:** Material handling equipment with high speeds and/or light loads

**Type E Tapered Roller Bearing:** Process equipment and bulk material handling where shock loads, heavy contamination and misalignment are issues



[www.timken.com](http://www.timken.com)