

PROBLEM :: SHAFT DAMAGE SOLUTION :: SHAFT GUARD

Timken® Fafnir® Ball Bearing® Housed Units with Shaft Guard Technology™

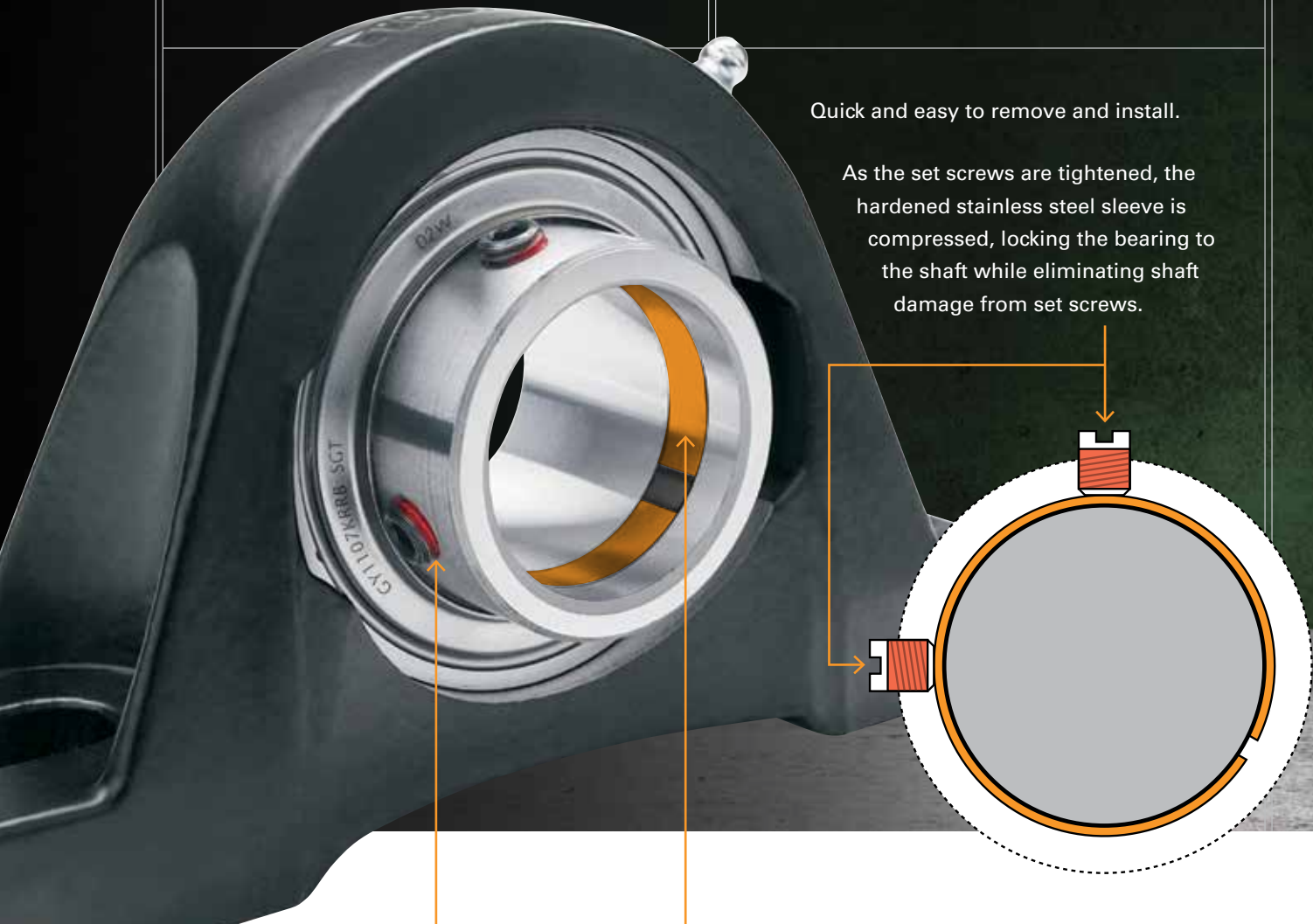
REDUCE SHAFT DAMAGE :: LOWER MAINTENANCE COSTS :: IMPROVE UPTIME :: INCREASE PRODUCTIVITY

Problem: Set screws can cause **shaft damage** resulting in more downtime, added maintenance time, shaft replacements and lost productivity, **negatively impacting operating costs.**

Solution: Timken® Fafnir® ball bearing housed units with shaft guard technology™ **eliminate shaft damage from set screws** and help **reduce operating costs** while **boosting productivity.**

Quick and easy to remove and install.

As the set screws are tightened, the hardened stainless steel sleeve is compressed, locking the bearing to the shaft while eliminating shaft damage from set screws.



Nylon patches prevent set screws from "backing out".

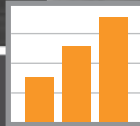
Hardened stainless steel sleeve under set screws.

TIMKEN

Results: Timken Fafnir ball bearing housed units with shaft guard technology can help you **gain significant savings and uptime.**



COST SAVINGS*



Save more than **\$4000** annually across a plant due to the reduction of bearing and shaft replacements, plus labor costs.

Save more than **\$120,000** over the lifecycle of equipment due to the reduction of bearing and shaft replacements, plus labor costs.

UPTIME GAINS*



Gain **18 hours** uptime over all equipment annually across a plant due to easier and quicker housed unit replacement on all shafts.

Gain **525 hours** uptime over the lifecycle of all equipment across a plant due to easier and quicker housed unit replacement on all shafts.

*Savings and uptime calculations based on: 50 pieces of similar equipment in a typical operation, each using two ball bearing housed units per shaft; 30-year lifecycle for each piece of equipment; typical 2-year bearing life and typical 6-year shaft life; 14 bearing replacements and 4 shaft replacements over the lifecycle of a single piece of equipment; standard U.S. labor rates; typical unit costs per bearing and shaft; typical number of hours for repair and replacement of bearings and shafts.

Available in:

- High base pillow block
- Low base pillow block
- Two-bolt flange
- Four-bolt flange

Standard duty size range (bore):

- 3/4" to 2 15/16"
- 20 mm to 75 mm

Medium duty size range (bore):

- 1" to 3 15/16"
- 25 mm to 100 mm

Applications:

- Fans and blowers
- Food and beverage
- Conveyors
- Printing presses
- Packaging and textiles
- Rubber and plastics
- Combines and implements

Contact your Timken sales representative today to discover how Timken Fafnir ball bearing housed units with shaft guard technology can improve your profitability.

TIMKEN

The Timken team applies their know-how to improve the reliability and performance of machinery in diverse markets worldwide. The company designs, makes and markets high-performance mechanical components, including bearings, gears, belts, chain and related mechanical power transmission products and services.

Stronger. **Commitment.** Stronger. **Value.** Stronger. **Worldwide.** Stronger. **Together.** | Stronger. **By Design.**

5M 05-16: 29 Order No. 10073 | Timken® is a registered trademark of The Timken Company. | © 2016 The Timken Company | Printed in U.S.A.

www.timken.com