



HIGH LOADS. RUGGED APPLICATIONS.

TIMKEN® TAFNL SERIES MOUNTED SOLID-BLOCK SPHERICAL ROLLER BEARINGS

Unlike competitor cast iron designs, Timken® TAFNL Series Mounted Solid-Block Spherical Roller Bearings are made of cast-steel housing to withstand heavy impact and continue performing. Additionally, competitor designs seal on the shaft, while Timken TAFNL bearings have primary seals that seal on the bearing extended inner ring and will not damage the shaft.

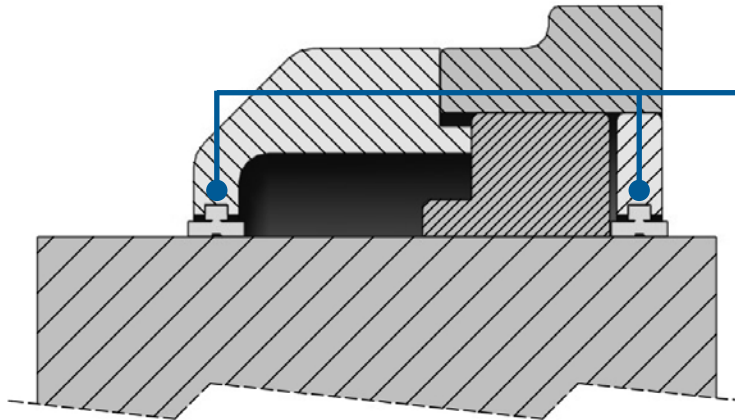
Timken Solid Block housings have an adjustment feature for either fixed or floating positions. All units are available with secondary covers open or closed in steel or urethane.

BUILT FOR HIGHER LOADS

- Available in 3-bolt and 4-bolt flange designs
- Designed for high-load applications
- Triple-barrier seal for industry-leading protection against contamination



TIMKEN TAFNL UNITS VS. TRADITIONAL UNITS

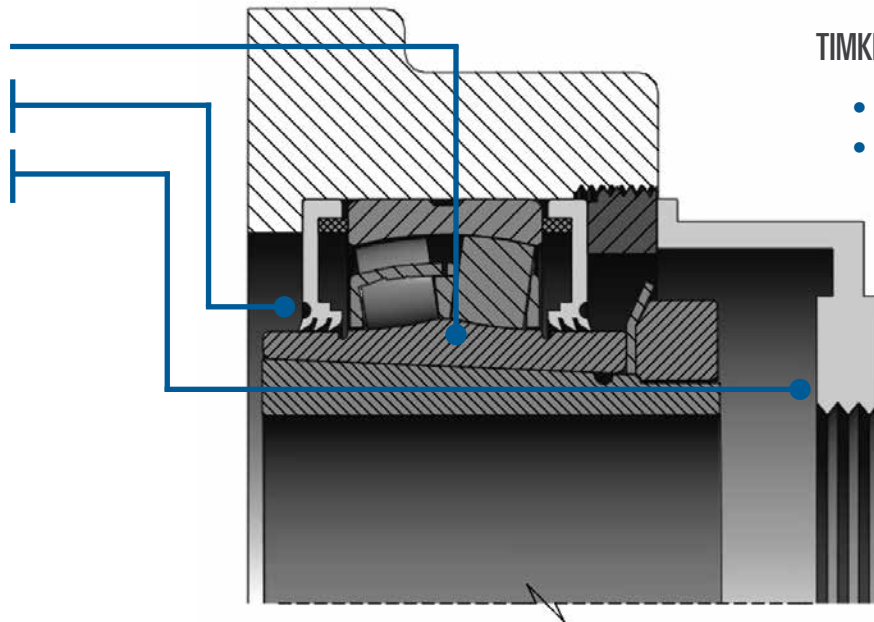


TRADITIONAL UNITS

- Seals on the shaft can result in shaft damage and contamination ingress
- Bolt-on open or closed
- Standard SRB
- Standard adapter

TIMKEN TAFNL UNITS

- Extended inner ring
- Seals directly on the inner ring of bearing
- Secondary covers open or closed
- Simple adjustment Fixed to Floating



TIMKEN TAFNL UNITS

- Grease cavity
- Seal on shaft

INTERCHANGE

TIMKEN	SKF	SKF	FAG	FAG	NTN SNR	NTN SNR	HENFEL	HENFEL	HFB	HFB
TAFNL09K040S	FNL509A	FNL509B	F509WA	F509WB	722509A	722509B	HFR9	F-509	722509WA	722509WB
TAFNL10K045S	FNL510A	FNL510B	F510WA	F510WB	722510A	722510B	HFR10	F-510	722510WA	722510WB
TAFNL11K050S	FNL511A	FNL511B	F511WA	F511WB	722511A	722511B	HFR11	F-511	722511WA	722511WB
TAFNL12K055S	FNL512A	FNL512B	F512WA	F512WB	722512A	722512B	HFR12	F-512	722512WA	722512WB
TAFNL13K060S	FNL513A	FNL513B	F513WA	F513WB	722513A	722513B	HFR13	F-513	722513WA	722513WB
TAFNL15K065S	FNL 515A	FNL 515B	F515A	F515B	722515A	722515B	HFR 15	F-515	722515A	722515B
TAFNL16K070S	FNL 516A	FNL 516B	F516A	F516B	722516A	722516B	HFR 16	F-516	722516A	722516B
TAFNL17K075S	FNL517A	FNL517B	F517A	F517B	722517A	722517B	HFR 17	F-517	722517A	722517B
TAFNL18K080S	FNL518A	FNL518B	F518A	F518B	722518A	722518B	HFR 18	F-518	722518A	722518B
TAFNL20K090S	FNL520A	FNL520B	F520A	F520B	722520A	722520B	HFR 20	F-520	722520A	722520B
TAFNL22K100S	FNL522A	FNL522B	F522A	F522B	722522A	722522B	HFR 22	F-522	722522A	722522B

TIMKEN TAFNL UNITS AND OPTIONAL COVERS

SEALED UNITS



OPTIONAL CLOSED STEEL COVER FOR SECONDARY SEAL



OPTIONAL OPEN STEEL COVER FOR SECONDARY SEAL



SEALED UNITS



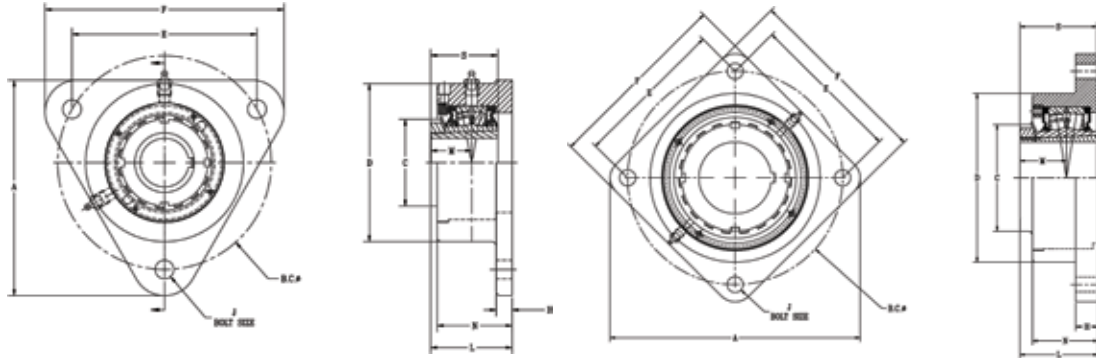
OPTIONAL CLOSED URETHANE COVER FOR SECONDARY SEAL



OPTIONAL OPEN URETHANE COVER FOR SECONDARY SEAL



TIMKEN TAFNL SERIES 3-BOLT AND 4-BOLT MOUNTED SPHERICAL ROLLER BEARING



Bearing Part Number	Shaft Dia. mm in.	Bolt Pattern	Bearing Number	A mm in.	B.C mm in.	C mm in.	D mm in.	E mm in.	F mm in.	H mm in.	J mm in.	L mm in.	M mm in.	N mm in.	S mm in.	Wt. kg lbs.
TAFNL09K107S TAFNL09K108S TAFNL09K040S	1 7/8 in. 1 1/2 in. 40mm	3-Bolt	22209	161.5 6.36	160 6.3	65 2.56	118.4 4.66	138.6 5.46	179 7.05	12 0.47	12 1/2	61.1 2.41	30.8 1.21	56.2 2.21	50.3 1.98	4 8.8
TAFNL10K111S TAFNL10K112S TAFNL10K045S	1 1/8 in. 1 3/4 in. 45mm	3-Bolt	22210	161.5 6.36	160 6.3	70 2.76	118.4 4.66	138.6 5.46	179 7.05	15 0.59	12 1/2	58.7 2.31	33.6 1.32	52.3 2.06	55 2.17	5 11
TAFNL11K115S TAFNL11K200S TAFNL11K050S	1 1/8 in. 2 in. 50mm	3-Bolt	22211	172.3 6.78	170 6.69	75 2.95	121.9 4.8	147.2 5.8	192 7.56	15 0.59	12 1/2	65.1 2.56	35.5 1.4	60 2.36	59 2.32	5 11
TAFNL12K055S	55mm	3-Bolt	22212	173.2 6.82	180 7.09	80 3.15	125.6 4.95	155.9 6.14	192.9 7.6	15 0.59	12 1/2	67.8 2.67	37.5 1.48	59 2.32	62 2.44	5.4 11.9
TAFNL13K203S TAFNL13K204S TAFNL13K060S	2 3/8 in. 2 1/4 in. 60mm	3-Bolt	22213	200.2 7.88	190 7.48	85 3.35	137.8 5.43	164.5 6.48	223.3 8.79	15 0.59	12 1/2	70.8 2.79	39.5 1.55	66.7 2.63	65 2.56	6.3 13.9
TAFNL15K207S TAFNL15K208S TAFNL15K065S	2 7/8 in. 2 1/2 in. 65mm	4-Bolt	22215	258.2 10.16	215 8.46	98 3.86	169.9 6.69	152 5.98	190 7.48	25 0.98	16 5/8	74 2.91	44 1.73	65.4 2.58	73 2.87	11.3 25
TAFNL16K211S TAFNL16K212S TAFNL16K070S	2 1/8 in. 2 3/4 in. 70mm	4-Bolt	22216	260.1 10.24	215 8.46	105 4.13	170 6.69	152 5.98	196 7.72	25 0.98	16 5/8	79.2 3.12	47.5 1.87	65 2.56	78 3.07	11.3 25
TAFNL17K215S TAFNL17K300S TAFNL17K075S	2 1/8 in. 3 in. 75mm	4-Bolt	22217	279.4 11	240.4 9.47	110 4.33	190 7.48	170 6.69	210 8.27	25 0.98	16 5/8	82.8 3.26	50 1.97	69.3 2.73	82 3.23	13.6 30
TAFNL18K303S TAFNL18K304S TAFNL18K080S	3 3/8 in. 3 1/4 in. 80mm	4-Bolt	22218	279.4 11	240.4 9.47	120 4.72	190 7.48	170 6.69	210 8.27	25 0.98	16 5/8	87.4 3.44	52 2.05	73.1 2.88	86 3.39	13.6 30
TAFNL20K307S TAFNL20K308S TAFNL20K090S	3 7/8 in. 3 1/2 in. 90mm	4-Bolt	22220	329.5 12.97	279.9 11.02	130 5.12	230.1 9.06	197.9 7.79	247.9 9.76	28.6 1.13	20 3/4	106.4 4.19	59.4 2.34	94.2 3.71	97 3.82	18.1 40
TAFNL22K315S TAFNL22K400S TAFNL22K100S	3 1/8 in. 4 in. 100mm	4-Bolt	22222	365 14.37	309.9 12.2	145 5.71	255 10.04	219.1 8.63	274.2 10.8	31.75 1.25	20 3/4	113 4.45	62.7 2.47	100 3.94	105 4.13	27.2 60

CALL ON TIMKEN

For your nearest Timken sales representative, visit www.timken.com

TIMKEN

The Timken team applies their know-how to improve the reliability and performance of machinery in diverse markets worldwide. The company designs, makes and markets bearings, gear drives, automated lubrication systems, belts, brakes, clutches, chain, couplings, linear motion products and related industrial motion rebuild and repair services.

Stronger. By Design.

www.timken.com