

Timken® T-Power Single-Point Lubricators

T-POWER 700 INSTALLATION INSTRUCTIONS

For more information on T-Power and other Timken Lubricant Delivery Systems, visit www.timken.com/lubricants.

Note: Retain these safety and operating instructions for future reference. Follow all operating and usage instructions. Consult the current Material Safety Data Sheet (MSDS) for any lubricant before using, handling or storing this device.

SAFETY WARNINGS

In addition to observing warnings on the product and in the operating instructions, be sure to observe the following precautions for the use, handling and storage of this device.

⚠ WARNING

Failure to observe the following warnings could create a risk of death or serious injury.

Do not open or remove a T-Power device during operation. Opening or removing the device will result in the release of pressurized contents, creating a risk of serious injury and damage to the device. Do not subject the device to excessive heat or permit the lubricant path to be blocked. Excessive heat or a blocked lubricant pathway may cause the unit to build up excessive pressure and rupture or explode creating a risk of serious injury.

Proper maintenance and handling practices are critical. Failure to follow installation instructions and to maintain proper lubrication can result in equipment failure, creating a risk of serious bodily harm. Do not pressurize, mechanically modify, or expose used devices to heat, flame, or static electricity. The unit may burst, releasing harmful chemicals which can create a risk of serious injury.

Note: Do not use this product near heaters, radiators, furnaces, or other equipment that may produce sparks, flames or high heat that may damage the unit.

T-Power 700 Product Specifications

DESCRIPTION

1. Timken® T-Power is an electrochemical automatic lubricator for discharging various types of grease and oil. T-Power units come fully assembled, ready to use and are available in two sizes: 2.20 fl. oz./145 grams (65 cm³) or 4.40 fl. oz./215 grams (130 cm³) lubricant cartridges.
2. The unit has a programmable control unit on top to adjust the discharge period (1 through 12 months). This can be changed at any time during use, even setting the dial to "0" to temporarily stop the lubricant from discharging.
3. The T-Power system consists of an end cap, programmable control unit and a replaceable lubricant cartridge. Batteries come installed in the lubricant cartridge and require no user action.

Note: The lubricant cartridge is factory-filled for warranty purposes and is not refillable.

Housing	Transparent plastics
Drive	Gas generating unit
Discharge period	1, 2, 3, ..., 12 months
Lubricant volume	65 cm ³ and 130 cm ³
Operating temperature range	-4° F to 140° F (-20° C to 60° C)
Pressure build-up	Max. 6 bar (Max. 87 psi)
Protection class	IP 65
Lubricants	Oil and grease up to NLGI 2

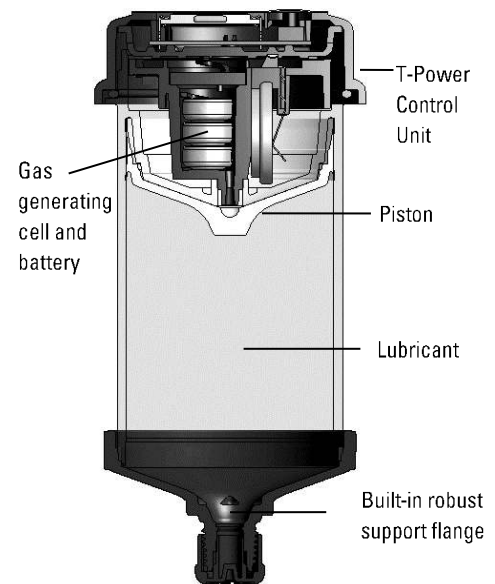
Programmable T-Power control unit



Protective cover



The Complete Unit



Oil-filled units with integrated oil retailing valve

- Oil-filled units = red plug
- Grease-filled units = black plug

OUTPUT CHART: DISCHARGE DURATION, AMOUNTS AND CYCLE TIMES

T-Power 700 with 65 cm ³ lubricant										
Settings/months	1	2	3	4	5	6	7	8	9..	.12
Lubricant/day [cm ³]	2.0	1.0	0.7	0.5	0.4	0.3	0.3	0.3	0.2	0.2
Lubricant/100 hrs. [cm ³]	8.3	4.2	2.8	2.1	1.7	1.4	1.2	1.0	0.9	0.7
Lubricant/week [cm ³]	14.0	7.0	4.7	3.5	2.8	2.3	2.0	1.8	1.6	1.6
No. of strokes with grease gun/day	1-2	< 1	0.5	-	-	-	-	-	-	-
No. of strokes with grease gun/100 hrs.	5-7	3	2	1.5	< 1.5	1	< 1	< 1	< 1	0.5
No. of strokes with grease gun/week	9-11	5	3	2-3	2	1-2	< 1.5	< 1.5	1	< 1

T-Power 700 with 130 cm ³ lubricant										
Settings/months	1	2	3	4	5	6	7	8	9..	.12
Lubricant/day [cm ³]	4.2	2.1	1.4	1.0	0.8	0.7	0.6	0.5	0.5	0.4
Lubricant/100 hrs. [cm ³]	17.4	8.7	5.8	4.3	3.5	2.9	2.5	2.2	1.9	1.6
Lubricant/week [cm ³]	29.2	14.6	9.7	7.3	5.8	4.9	4.2	3.6	3.2	2.6
No. of strokes with grease gun/day	3	1-2	1	< 1	< 1	0.5	-	-	-	-
No. of strokes with grease gun/100 hrs.	11-13	5-7	4	3	2-3	2	< 2	1.5	< 1.5	1
No. of strokes with grease gun/week	18-22	9-11	6-7	5	4	3-4	3	2-3	2	1-2

TEMPERATURE RANGE

Most gas powered lubricator systems can be influenced by the ambient temperature making adjustments to your discharge period necessary. Timken's T-Power automatically adjusts for temperature changes so no such adjustments are necessary.

1. Recommended for use within the temperature range of -4° F to 140° F (-20° C to 60° C).
2. Prolonged temperatures exceeding 122° F (50° C) may diminish the stability of the plastic cartridge and result in a reduction of pressurization.
3. Prolonged operation below -4° F (-20° C) may cause a reduction in performance and battery life.

STORAGE CONDITIONS

Store T-Power units and lube cartridge kits in a dry location. Recommended storage: 68° F (20° C).

SHELF LIFE

1. Lube cartridge (filled): One year depending on lubricant.
2. Batteries: One year.

ENCLOSURE RATING AND CERTIFICATION

1. NEMA 13 / IP 65. Protected against dust and splash water.
2. FM Certified and CE Certified.

DISPOSAL

When the lubricator is out of grease, "empty" devices always retain some amount of lubricant whether or not lubricant is visible. The device is non-recyclable. Dispose in an environmentally safe way in compliance with government regulations. Do not replace the original batteries because they are designed to perform as long as the useful life of this device. Do not dispose of batteries in regular waste. Batteries contain parts of mercury (Hg) and lead (Pb). T-Power units are not reusable.

WARRANTY

One Year. Also dependent on lubricant manufacturer's warranty for life of lubricant.

Note: 1 cm³ = approx. 1 "shot" of grease from a typical grease gun.

T-Power 700 Installation Instructions

PREPARING THE LUBE POINT

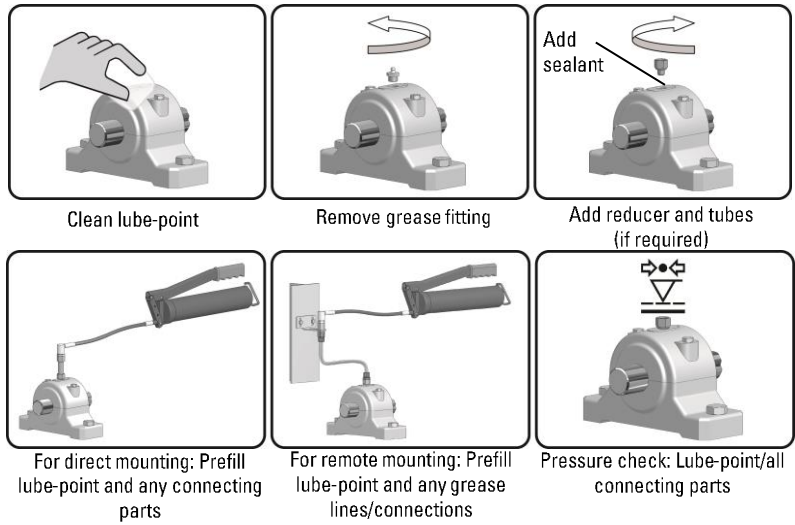
1. Fill with the same or compatible lubricant as filled in the T-Power.

Note 1: Always check the suitability of any lubricant with the manufacturer of the equipment to be lubricated prior to use. Many lubricant oils and greases are available for this T-Power device, depending on the equipment to be lubricated.

Note 2: Avoid direct contact of lubricant with skin. Do not swallow or ingest the lubricant. If ingested or swallowed, call a physician or Poison Control center for most current instructions. If professional advice is not available, do not induce vomiting.

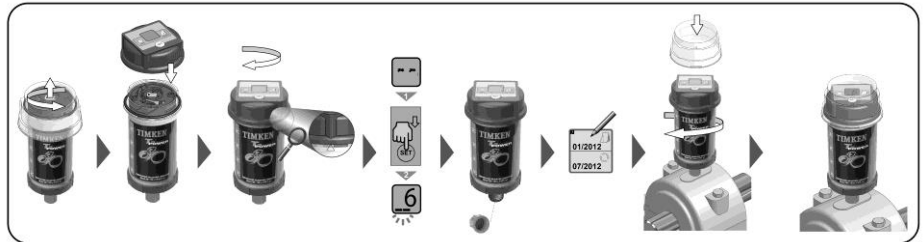
2. Confirm that the bearing is easily accepting grease from a grease gun.

Note: Lube points that resist accepting grease from a grease gun will cause the T-Power to function improperly.



INSTALLING THE UNIT

1. Remove protection cover from LC unit.
2. Attach control unit.
3. Screw on until the edge on the control unit is lined up with the arrow on the LC unit.
4. Select discharge period (1-12 months). Set according to the charts on page 2.
5. Remove end plug.
6. Screw into lube-point, hand tighten. The T-Power outlet is R 1/4" thread. A reducing fitting may be needed.



Note: Use only Timken-certified attachments and accessories to connect the T-Power device to the equipment application.

CAUTION

Failure to follow these cautions may result in minor injury or property damage.

Do not disassemble any gas-pressurized device because harmful chemicals may be released, creating a risk of bodily injury. Prolonged operation outside the recommended temperature range may cause damage to the unit.

Note: Do not attempt to clean or refill the device because the lubricant is difficult to remove. Device cannot be refilled. Attempts to refill these units in the field will void the manufacturer's warranty.

CARTRIDGE SIZES

T-Power 700 with
65 cm³ lubricant



T-Power 700 with
130 cm³ lubricant





TIMKEN

The Timken team applies their know-how to improve the reliability and performance of machinery in diverse markets worldwide. The company designs, makes and markets mechanical components, including bearings, gears, chain and related mechanical power transmission products and services.

www.timken.com

Stronger. Commitment. Stronger. Value. Stronger. Worldwide. Stronger. Together. | Stronger. By Design.