

## Series B - An economic solution that packs a punch.

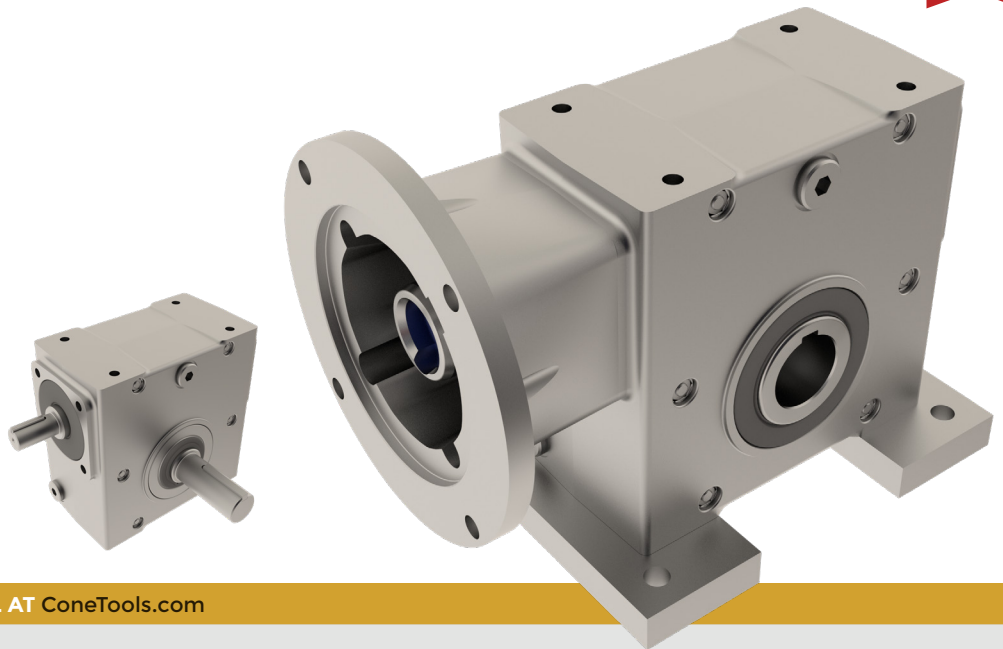
Cone Drive's Series B reducers provide an economical, flexible, and compact solution to fulfill the low-to-medium power range requirements. With capabilities up to 20HP and output torque up to of 5,000 lb in. in a single stage, Series B can provide design flexibility with lasting performance.

PACKAGING | STEEL | PLASTICS & RUBBER | CONVEYER | PULP & PAPER

MADE IN  
USA

## Right Angle Drive

Directly interchangeable with most worm reducers, this Right Angle Drive is unlike any other reducer on the market. No other reducer offers the flexibility, performance, and reliability that you have come to expect from Cone Drive.



 [CONFIGURE & DOWNLOAD YOUR MODEL AT ConeTools.com](#)

# S P E C I F I C A T I O N S


### PRODUCT FEATURES




- Complete motor mounting accessories
- Easy motor removal with patented fret free motor bushing
- Dimensionally interchangeable with other manufacturers
- Lightweight aluminum construction
- Conex double enveloping gearing

### PRODUCT SPECIFICATIONS

- Sizes:** 1.33" - 3.54"
- Output Torque:** Up to 7,500 lb-in
- Gear Ratios:** Up to 3600:1 in double reduction
- Input Options:** Reducer and NEMA
- Output Options:** Solid or hollow, metric and inch
- Washdown Options:** USDA white epoxy paint, SS fasteners and output shafts plated bores



 Cone Drive Operations, Inc.  
240 East 12th Street  
Traverse City, MI 49684, USA

 +1.888.994.2663  
 [orders@conedrive.com](mailto:orders@conedrive.com)  
 [conedrive.com](http://conedrive.com)