



## TIMKEN® FE RADIAL POLY-ROUND BEARINGS

### IMPROVE SAFETY, REDUCE BEARING MAINTENANCE, EXTEND BEARING LIFE

Upgrade your food processing machinery with Timken FE Radial Poly-Round® bearings which eliminate the need for all rolling elements, preventing the hazard of damaged bearing components falling into food products. It enhances food safety and reduces costly downtime.

The Timken FE Radial Poly-Round bearing is a polymer plain bearing with a stainless steel sleeve. The product line is designed to resist rust, reduce shaft fretting and extend bearing life. These benefits reduce equipment maintenance and increase machine uptime, resulting in cost savings.

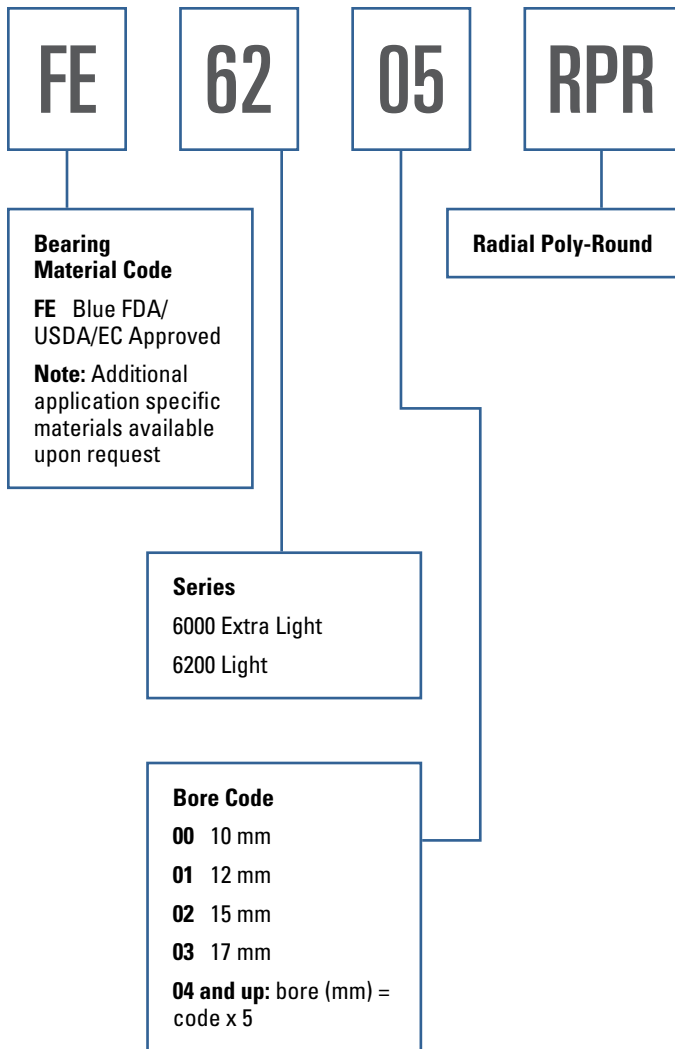
Timken FE Radial Poly-Round bearings are manufactured from an innovative blue polymer that is optically detectable and complies with USDA, FDA and EC standards for safe contact with food. The engineered polymer eliminates moisture resulting in limited bacteria growth within the bearing. FE Radial Poly-Rounds can withstand high temperatures up to 480 degrees Fahrenheit (260 degrees Celsius), making them an application-specific solution for high-temperature food processing.

### PRODUCT LINE FEATURES

- Dimensionally interchangeable with 6000 and 6200 series Deep Groove Ball Bearing product lines
- Unaffected by washdown due to the use of corrosion-resistant materials and a greaseless, lubrication-free design
- Increased food safety due to optically detectable blue polymer
- Reduced bearing maintenance due to absence of lubrication
- Designed to reduce shaft fretting



# NOMENCLATURE



# INTERCHANGE

Radial Poly Round Bearing are dimensionally interchangeable with 6000 and 6200 series Deep Groove Ball Bearing product lines.



## 6000 SERIES INTERCHANGE

Bore	Stainless Deep Groove Ball Bearing	FE Radial Poly-Round Bearing
10	6000H-2RSF/F	FE6000RPR
12	6001H-2RSF/F	FE6001RPR
15	6002H-2RSF/F	FE6002RPR
17	6003H-2RSF/F	FE6003RPR
20	6004H-2RSF/F	FE6004RPR
25	6005H-2RSF/F	FE6005RPR
30	6006H-2RSF/F	FE6006RPR
35	6007H-2RSF/F	FE6007RPR
40	6008H-2RSF/F	FE6008RPR

## 6200 SERIES INTERCHANGE

Bore	Stainless Deep Groove Ball Bearing	FE Radial Poly-Round Bearing
10	6200H-2RSF/F	FE6200RPR
12	6201H-2RSF/F	FE6201RPR
15	6202H-2RSF/F	FE6202RPR
17	6203H-2RSF/F	FE6203RPR
20	6204H-2RSF/F	FE6204RPR
25	6205H-2RSF/F	FE6205RPR
30	6206H-2RSF/F	FE6206RPR
35	6207H-2RSF/F	FE6207RPR
40	6208H-2RSF/F	FE6208RPR



The Timken team applies their know-how to improve the reliability and performance of machinery in diverse markets worldwide. The company designs, makes and markets bearings, gear drives, automated lubrication systems, belts, brakes, clutches, chain, couplings, linear motion products and related industrial motion rebuild and repair services.

**Stronger. By Design.**

[www.timken.com](http://www.timken.com)