

Survivor® Corrosion Resistant Ball Bearing Housed Units

Unique, corrosion-resistant housed units provide premium bearing performance and reliable protection in harsh environments.

Timken Survivor® ball bearing housed units are specifically designed to offer optimum corrosion resistance for food processing and other demanding applications. The combination of outstanding bearing and housing features creates an unmatched performance package that withstands a wide range of common corrosives and contaminants.

The Survivor series is the industry's first housed unit to incorporate a completely corrosion-resistant bearing inner. Outstanding protection is provided by the Timken Fafnir TDC™ ball bearing insert and the electroless-nickel-plated housing.

The proprietary thin, dense-chrome bearing coating uses proven technology to set new industry standards. All other bearing components are stainless steel, synthetic rubber or nylon. In addition, the bearings are prelubricated with a food-grade grease. The result is a high performance bearing package that is unique in the industry.

Survivor Unit Benefits

Reliable protection – unique combination of corrosion-resistant bearing insert and housing provides best protection package available.

Superior bearing insert – Fafnir TDC™ thin, dense-chrome coating will not crack or peel under known application conditions, providing proven bearing corrosion resistance. Full width bearing provides greater grease storage and shaft support than narrow designs.

Longer life – TDC coating resists premature failure under corrosive conditions.

Plated housing – electroless-nickel-plated housing, with stainless steel grease fitting and protective cap, withstands corrosion and prevents contamination.

Total value package – a single unit with the best components available provides valuable reliability in difficult applications.

Proven performance – Survivor units outperformed other designs in severe 100-hr salt spray tests (ASTM-B-117).

Government requirements – all materials, including lubricant, comply with all applicable FDA and USDA requirements.

Mounting variations – available as RAK/RAS pillow blocks, RCJ/RCJT flanged units in two and four-bolt configurations, and RTU take-up units.

Applications

- **Food processing plants**
- **Beverage plants**
- **Dairy industries**
- **Refrigeration plants**
- **Food packaging**
- **Harvesting equipment**
- **Chemical & rubber processing**
- **Pharmaceutical industries**
- **Paper mills**
- **Highway salt & sand trucks**
- **car washes**
- **Material handling**
- **Maritime applications**

Timken Survivor housed units offer an outstanding package of features for optimum corrosion resistance in harsh operating environments.

- **All components selected for optimum corrosion resistant properties**
- **Meets FDA and USDA food processing requirements**
- **Dependable Fafnir TDC ball bearing inserts**
- **Outperforms others in salt spray washdown tests**



All bearing components have been carefully selected for their corrosion-resistant properties.

Applications

Originally developed to meet strict government standards and other food processing requirements, Survivor housed units are a dependable solution for applications where resistance to corrosion and contamination is critical. Survivor units can solve difficult bearing problems from the food and beverage industries to paper mills, material handling and maritime installations.

Unit Design

Survivor units are specifically designed to provide reliable performance in the harshest environments. The combination of features creates a superior assembly that offers

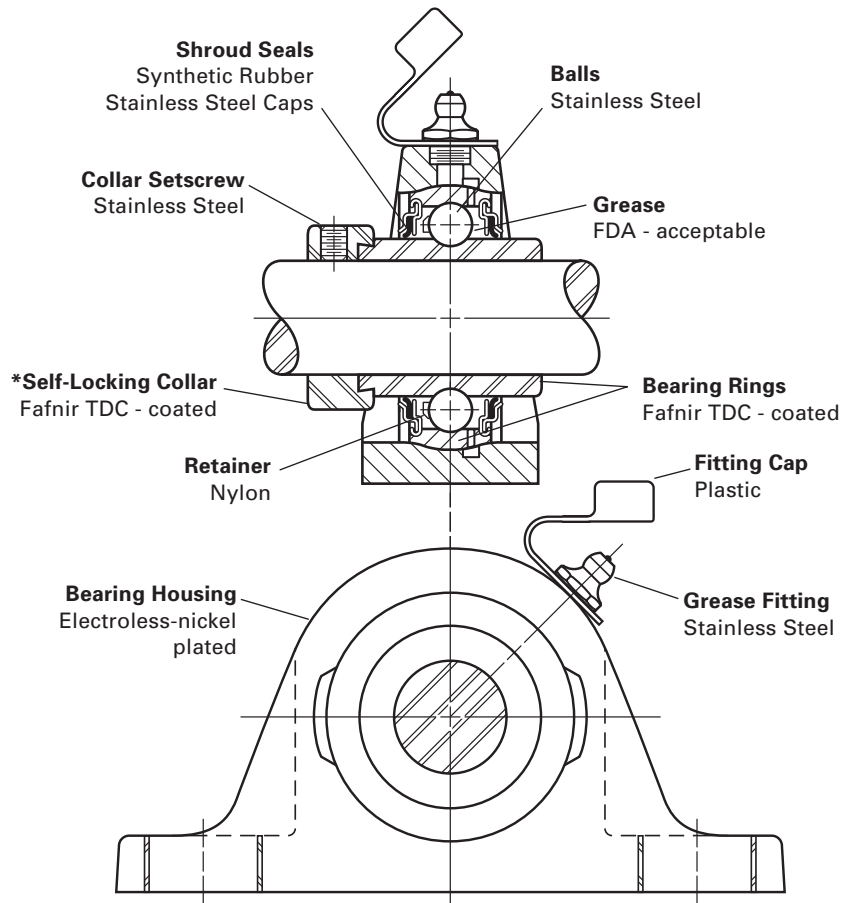
outstanding corrosion protection and dependability. The Fafnir TDC coating will not crack or peel under known application conditions, providing proven reliability in harsh environments.

Ordering Information

Survivor housed units are available in a range of popular shaft sizes from 1/2 in. to 2-3/16 in. Check for current availability. To order a Survivor unit, simply add the suffix "NT" after the standard bearing designation, i.e., RAK 1-7/16-NT. Orders may be placed through any Timken sales office or authorized distributor branch throughout North America.



The Survivor unit outperformed other designs in demanding salt spray tests.



For your nearest Timken sales representative, call (800) 223-1954. Outside the U.S. and Canada, call (330) 438-3000.

Timken US Corporation is a Timken Company subsidiary. Timken®, Survivor® and Fafnir® are registered trademarks of The Timken Company. www.timken.com

TIMKEN®

© 2003 The Timken Company
Printed in U.S.A.
5M-10-04-07 Order No. 5756 (formerly Torrington No. 628)

WORLDWIDE LEADER IN BEARINGS AND STEEL